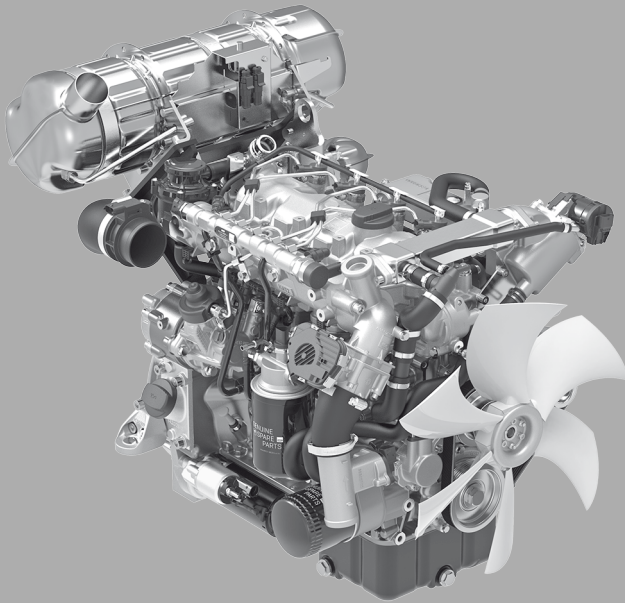


CREATING POWER SOLUTIONS.



INCLUDES SUPPLEMENTAL INFORMATION TO THE OWNER'S MANUAL FOR MODEL YEAR 2024 FOR EPA AND CALIFORNIA CERTIFIED NONROAD COMPRESSION IGNITION ENGINES.

3H50 | 4H50

OPERATOR'S MANUAL

Diesel engine

Hatz Diesel

www.hatz-diesel.com

1	Legal notices	5
2	General information	6
3	Safety	7
3.1	General information.....	7
3.1.1	Intended use	7
3.1.2	Machine user or machine manufacturer obligations	8
3.1.3	Representation of safety notes	9
3.1.4	Meaning of safety symbols.....	10
3.2	Safety notes	12
3.2.1	Operational safety	12
3.2.2	Machine-specific safety instructions for operation	15
3.2.3	Machine-specific safety instructions for maintenance work	16
3.2.4	Electrical equipment.....	18
3.3	Labels.....	19
4	Technical data	21
4.1	Engine information and filling quantities	21
4.2	Engine type plate	25
4.2.1	Engine serial number	26
4.3	Engine oil	26
4.4	Coolant.....	28
4.5	Fuel	32
5	Engine overview	34
5.1	Designation of components.....	34
5.2	Fuses	44
5.3	Hatz Smart Panel (HSP)	45
5.3.1	Main menu	45
5.3.2	Menu – Current Values	49
5.3.3	Menu – General Settings	50
6	Transport, installation and commissioning	52
6.1	Transport.....	52
6.2	Installation notes	55
6.3	Preparations for commissioning.....	56
6.4	Filling engine oil (first filling).....	57
6.5	Filling the cooling system	58
6.6	Venting the fuel system.....	60
7	Operation and use	62
7.1	Safety notes	62
7.2	Performing tests	63
7.3	Starting the engine	64
7.4	Switching off the engine	67

7.5	Check the oil level	69
7.6	Refueling	71
7.7	Regenerating the diesel particulate filter	72
8	Maintenance	78
8.1	General maintenance instructions	78
8.2	Maintenance work	79
8.2.1	Maintenance plan	79
8.2.2	Additional work on the Silent Pack	82
8.2.3	Check the intake area of the combustion air	86
8.2.4	Check the cooler fins for contamination	88
8.2.5	Check the cooling system	89
8.2.6	Changing the engine oil and oil filter	92
8.2.7	Clean the radiator fins	98
8.2.8	Checking the poly v belt	101
8.2.9	Replacing the poly v belts	105
8.2.10	Change the oil separator of the crankcase ventilation	110
8.2.11	Check the screw connections	111
8.2.12	Drain the water separator	111
8.2.13	Changing the fuel prefilter	113
8.2.14	Changing the main fuel filter	115
8.2.15	Servicing the air filter (optional)	118
8.2.16	Change the coolant	120
8.2.17	Draining the charge air cooler	123
8.2.18	Resetting the service interval indicator	124
9	Faults	127
9.1	Troubleshooting	127
9.2	Diagnostic trouble codes in case of engine malfunctions	130
9.3	Start support	131
10	Storage and disposal	136
10.1	Storing the machine	136
10.2	Disposing of the machine	138
11	Proof of quality	139
12	EPA AND CARB CERTIFIED ENGINES	140

1 Legal notices

Contact data

© 2023
Motorenfabrik Hatz
Ernst-Hatz-Straße 16
94099 Ruhstorf
Germany
Tel. +49 (0)8531 319-0
Fax +49 (0)8531 319-418
marketing@hatz-diesel.de
www.hatz-diesel.com
All rights reserved!

Copyright

The copyright for this manual rests entirely with Motorenfabrik HATZ, Ruhstorf.

This manual may only be copied or distributed if written approval has been received. This also applies to the copying or distribution of excerpts of this manual. The same conditions apply to distribution of this manual to third parties in digital form.

Original manual

This manual has been translated into multiple languages.

The German version is the **original manual**. All other language versions are **translations** of the **original manual**.

2 General information

Information on the document

This manual was created with due care. It is exclusively intended to offer a technical description of the machine and to provide instructions on commissioning, operating and maintaining the machine. When operating the machine, the applicable standards and legal regulations as well as any in-house regulations apply.

Before commissioning, during operation and before maintenance work is begun on the machine, read this manual carefully and keep it close by for ready access.

Machine

This manual describes the following machine.

Machine name	HATZ diesel engine
Type number	3H50T, 3H50TIC, 3H50TICD, 4H50TIC, 4H50TICD

Customer service

Have service work performed by qualified technicians only. We recommend that you work with one of the over 500 **HATZ service stations**. Trained specialists there will repair your machine with **Hatz original spare parts** and with **HATZ tools**. The global HATZ service network is at your disposal to advise you and supply you with spare parts. For the address of the **Hatz service station** nearest you, please see the enclosed spare parts list or visit us in the Internet at: **www.hatz-diesel.com**

Installation of unsuitable spare parts can lead to problems. We cannot accept liability for direct damage or secondary damage that results from this.

We therefore recommend the use of **Hatz original spare parts**. These parts are manufactured according to strict Hatz specifications and achieve maximum operational reliability through their perfect fit and functionality. The order number can be found in the enclosed spare parts list or on the Internet at: **www.hatz-diesel.com**

Exclusion of liability

The manufacturer cannot be held liable for personal injury, damage to property or damage to the machine itself caused by improper use, foreseeable misuse, or failure to follow or adequately follow the safety measures and procedures described in this manual. This also applies to changes made to the machine and the use of unsuitable spare parts.

Modifications, which serve the technical improvements, are reserved.

3 Safety

3.1 General information

Introduction

This chapter contains the information you need to work safely with this machine.

To prevent accidents and damage to the machine, it is imperative that these safety instructions be followed.

Read this chapter carefully before beginning work.

3.1.1 Intended use

Intended use

The machine described in this manual fulfills the following functions:

- Diesel engine intended for installation in a machine or for assembly with other machines to form a machine. See chapter *11 Proof of quality*, page 139.

This engine is intended exclusively for the purpose specified and tested by the manufacturer of the machine in which the engine is installed.

Any other use is not intended and therefore not permitted. Violations compromise the safety of the personnel working with the machine. Motorenfabrik HATZ does not accept any liability for damage resulting from this.

The operational safety of the machine is only guaranteed if it is used as intended.

The intended use also includes observance of the instructions in this Operator's Manual to preserve the environment, including the appendix for EPA and CARB certified engines.

Foreseeable misuse

The following is considered to be foreseeable misuse:

- Any use that varies from or extends beyond the uses specified above.
- Failure to comply with the instructions given in this manual.
- Failure to comply with the safety instructions.
- Failure to immediately eliminate malfunctions that impact safety before continuing work with the machine (working with the machine when it is not in perfect condition, either functionally or in terms of safety).
- Failure to perform the necessary inspection and maintenance work.
- Any unauthorized modification of or removal of safety equipment.
- Use of spare parts and accessories that are unsuitable or have not been approved by HATZ.
- Fuel other than specified in the instructions.
- Operation in flammable or hazardous environments.

- Operation in closed-off or poorly ventilated rooms.
- Operation in an aggressive atmosphere (e.g., high salt content) without further measures for corrosion protection.
- Improper operation at variance with DIN ISO 3046 -1 and DIN ISO 8528 (climate, load, safety).

Residual risks

Residual risks result during daily use and in association with maintenance work.

These residual risks will be pointed out in chapter 3.2.2 *Machine-specific safety instructions for operation, page 15* and in chapter 3.2.3 *Machine-specific safety instructions for maintenance work, page 16* as well as in the further contents of the manual, directly in front of the descriptions or operating instructions concerned.

3.1.2 Machine user or machine manufacturer obligations

Machine manufacturer obligations

If you have an engine that is not yet installed in a machine, it is imperative that you follow the **Assembly Instructions for HATZ Diesel Engines** before installing the engine. These assembly instructions contain important information on how to safely install the engine and are available at your nearest **HATZ service station**.

It is prohibited to start the engine before it is fully installed.

In addition, please note that it is prohibited to start up the machine before it has been determined that the machine into which this engine is installed fulfills all safety-related requirements and legal regulations.

User obligations

The operator is obliged to only operate the machine when it is in perfect condition. The operator must check the condition of the machine before use and ensure that any defects are eliminated before it is taken into service. Running the machine while identified defects exist is not permitted. The operator must also ensure that all persons who work on the machine are familiar with the contents of this manual, .

Obligations of the operating and maintenance personnel

Personnel assigned with operating and maintaining the machine must have read and understood this manual or must possess the qualifications necessary for working with this equipment, acquired in training/instructional courses. No one may work with the machine without the necessary qualifications, even if for just a brief period.

The operating and maintenance personnel must not be under the influence of drugs, medication or alcohol.

All work performed on the machine must be in compliance with the information provided in this manual.

Storing this manual

This manual is an integral component of the machine (also when being sold). It must be stored in the direct vicinity of the machine and be accessible to personnel at all times.

3.1.3 Representation of safety notes

Overview

This machine has been designed and built according to state-of-the-art technology and the recognized safety standards. Despite these precautions, risks exist when operating the machine and during maintenance work.

These risks are identified in this manual by means of safety notes.

The safety notes precede the relevant description or operating step.

Structure of the safety notes

The safety notes consist of:

- Danger symbol
- Signal word
- Description of the danger
- Possible consequences
- Preventative measures




General danger symbol



The general danger symbol is used to identify the danger of personal injury.

Signal words





Signal words identify the magnitude of the risk and the seriousness of possible injury:

Danger symbol/ signal word	Meaning
 DANGER	This signal word is used to indicate imminently dangerous situations which, if not avoided, will lead to serious injury or death.
 WARNING	This signal word is used to indicate potentially dangerous situations which, if not avoided, may lead to serious injury or death.
 CAUTION	This signal word is used to indicate potentially dangerous situations which, if not avoided, may lead to minor or moderate injury.
CAUTION	This signal word, without a danger symbol, is used to indicate the risk of property damage.
NOTICE	This signal word indicates additional useful information, such as operating tips and cross references.

3.1.4 Meaning of safety symbols

Explanation of symbols

The following table describes the meanings of the safety symbols used in this manual.

Symbol	Meaning
	Smoking, fire, and open flames are prohibited!
	Warning of personal injury!
	Warning of hot surfaces!
	Warning of hot surfaces! (Alternative)



Symbol	Meaning
	Warning of flammable substances!
	Warning of explosive substances!
	Warning of toxic engine exhaust!
	Warning of corrosive substances!
	Warning of heavy loads!
	Warning of environmental damage!
	Comply with this manual or additional documentation from other manufacturers or the operator.
	Additional information that is useful to the reader.

3.2 Safety notes

3.2.1 Operational safety

Introduction

This chapter contains all of the important safety instructions for personal protection and for safe and reliable operation. Additional, task-related safety instructions can be found at the beginning of each chapter.

 DANGER	
	<p>Danger to life, danger of injury or danger of property damage due to failure to comply with this manual and the safety instructions contained therein.</p> <ul style="list-style-type: none"> ▪ As the operator of the machine, you must ensure that all people working on the machine are familiar with the content of this manual. ▪ Before working on the machine, read this manual carefully, paying special attention to the safety notes ▪ Fulfill all required safety conditions before working on the machine. ▪ Follow all general safety instructions as well as the specific task-related safety instructions contained in the individual chapters.

Using the machine







- Only operate the machine for the purposes described in chapter 3.1.1 *Intended use*, page 7.

Compliance with other regulations

- The applicable regulations of the relevant professional associations must be observed.
- Comply with the regulations concerning the minimum safety and health requirements for the use of work equipment by workers at work.
- In addition, local safety, accident prevention and environmental regulations also apply when operating the machine.

Personal protective equipment

During operation and maintenance of the machine, personal protective equipment must be available and must be used if necessary. The use of personal protective equipment is specified in the description of the operating steps.

Personal protective equipment	Pictogram	Function
Safety shoes		Safety shoes offer protection against: <ul style="list-style-type: none"> ▪ Slipping ▪ Falling objects
Hearing protection		Hearing protection offers protection against ear injuries due to excessive and constant noise.
Safety gloves		Safety gloves protect the hands against injury, e.g., from battery acid.
Safety goggles (with side protection)		Safety goggles protect the eyes from flying objects (e.g., dust particles, spraying liquids, spraying acid).
Fine dust mask		A fine dust mask protects the wearer against particulate pollutants.
Working clothes		Wear close-fitting working clothes. It must not restrict the wearer's freedom of movement, however.

Warning labels and information signs on the machine

The warning labels and information signs on the machine must be followed (see chapter "Labels" 3.3 *Labels*, page 19).

The warning labels and information signs must be kept legible and must be replaced if necessary. For this purpose, contact your nearest **HATZ service station**.

Maintenance work









Maintenance work that goes beyond the scope described in this manual must only be performed by qualified technicians (see chapter 2 *General information*, page 6).

Independent maintenance work and constructional changes to the machine, especially to the safety equipment, are not permitted.

Safety equipment

Safety equipment must not be modified and must not be rendered ineffective during normal operation.

General safety instructions

 DANGER	
	<p>Danger to life and danger of injury due to failure to follow the warnings on the machine and in this manual.</p> <ul style="list-style-type: none"> ▪ Heed the warnings on the machine and in this manual.
 WARNING	
	<p>Danger of injury and danger of incorrect operation due to inadequate personnel qualifications.</p> <ul style="list-style-type: none"> ▪ The personnel must have read and understood this manual or must possess the qualifications necessary for working with this equipment, acquired in training/instructional courses. ▪ Only qualified personnel is permitted to operate and maintain this machine. ▪ Failure to comply will cause the warranty to become void.
 WARNING	
	<p>Danger of injury from failure to follow the Operating Instructions and from performing unauthorized tasks on the machine.</p> <ul style="list-style-type: none"> ▪ Follow all instructions. ▪ Do not perform activities for which no qualification is available. Contact properly trained personnel if necessary.
 CAUTION	
	<p>Danger of injury from overloading the body.</p> <p>Lifting the machine to transport it or to move it to another location can lead to injuries (of the back, for example).</p> <ul style="list-style-type: none"> ▪ Only lift the machine with a hoist (see chapter 6.1 <i>Transport</i>, page 52).

3.2.2 Machine-specific safety instructions for operation

Introduction

The machine can pose residual risks during operation. To eliminate these risks, all persons working on the machine must follow the general and machine-specific safety instructions.

If you have an engine that is not yet installed in a machine, it is imperative that you follow the **Assembly Instructions for HATZ Diesel Engines** before installing the engine.

These Assembly Instructions contain important information on safe installation.

If the engine is installed in a machine or assembled with other machines to form a machine, it is prohibited to start the engine before it has been determined that the newly created machine fulfills all safety-related requirements and applicable legal regulations.



Safe operation






- Before switching on the machine, ensure that no one can be injured when the machine is started up.
- During machine operation, ensure that unauthorized persons do not have access to the area in which the machine has an impact.
- Parts of the exhaust gas system and the surface of the engine become hot during operation. Risk of injury from touching hot parts! Let the engine cool before maintenance.
- Do not refuel during operation.

Faults

- Immediately eliminate faults that compromise safety.
- Switch off the machine and do not take into service again until all faults have been eliminated.

Safety instructions for operation

 DANGER	
	<p>Danger to life from inhaling exhaust gases.</p> <p>Toxic engine exhaust gases can lead to loss of consciousness, and even death, in closed-off and poorly ventilated rooms.</p> <ul style="list-style-type: none"> ▪ Never operate the machine in closed-off or poorly ventilated rooms. ▪ Do not breathe in the exhaust gases.

 DANGER	
 	<p>Fire hazard from fuel.</p> <p>Leaked or spilled fuel can ignite on hot engine parts and cause serious burn injuries.</p> <ul style="list-style-type: none"> ▪ Only refuel when the engine is switched off and has cooled down. ▪ Never refuel in the vicinity of open flames or sparks that can cause ignition. ▪ Do not smoke. ▪ Do not spill fuel.
 DANGER	
	<p>Danger of fire from hot exhaust gas system.</p> <p>If inflammable materials come into contact with the exhaust gas flow or the hot exhaust gas system, these materials can ignite.</p> <ul style="list-style-type: none"> ▪ Keep inflammable materials away from the exhaust gas system. ▪ Do not operate the engine (exhaust flow or hot exhaust gas system) in the direct vicinity of combustible materials.

3.2.3 Machine-specific safety instructions for maintenance work

Introduction

The machine can pose residual risks during maintenance. To eliminate these risks, all persons working on the machine must follow the general and machine-specific safety instructions.

Maintenance intervals

- Strictly adhere to the maintenance intervals.
Regular maintenance according to the instructions in this manual is essential for ensuring reliable operation and the correct engine exhaust quality.
- Check the safety equipment regularly to ensure it is in good condition and functioning properly.
- Check connections, cables and fasteners regularly to ensure they are in good condition.

Maintenance work

Maintenance work that goes beyond the scope described in this manual must only be performed by qualified technicians. We recommend that you work with one of the over 500 **HATZ service stations**.








Replacing parts



- When replacing defective components, we recommend that you use **Hatz original spare parts** (see chapter 2 *General information*, page 6).
- When disposing of parts that can no longer be used, do so in accordance with local environmental regulations or send them to a recycling center.

Measures following maintenance and troubleshooting

- Securely reconnect loose electrical connections; check that the electrical components and equipment are functioning properly.
- Check the entire machine for foreign bodies; remove any foreign bodies.



Safety instructions for maintenance work



 DANGER	
	<p>Danger of explosion from flammable cleaning agents.</p> <p>Cleaning with benzene is an explosion hazard. It is highly flammable, can become electrostatically charged, and can generate an explosive gas/air mixture.</p> <ul style="list-style-type: none"> ▪ Use halogen-free, cold cleaners with a high flash point for cleaning. ▪ Comply with manufacturer's instructions.
 WARNING	
 	<p>Danger of injury from compressed air and dust particles.</p> <p>Eye injuries can occur when cleaning with compressed air.</p> <ul style="list-style-type: none"> ▪ Wear safety goggles.
 CAUTION	
	<p>Danger of injury from ignoring the maintenance instructions.</p> <ul style="list-style-type: none"> ▪ Only perform maintenance work when the engine is switched off. ▪ For engines with an electric starter: Disconnect the negative battery terminal. Protect the starting key from unauthorized access.

 CAUTION	
	<p>Danger of burns.</p> <p>There is a danger of burns when working on a hot engine.</p> <ul style="list-style-type: none"> ▪ Let the engine cool before maintenance.

3.2.4 Electrical equipment

Safety notes

 DANGER	
	<p>Danger to life, danger of injury or danger of property damage due to incorrect use of batteries.</p> <ul style="list-style-type: none"> ▪ Do not place tools or other metal objects on the battery. ▪ Before performing work on the electrical equipment, always disconnect the negative battery terminal. ▪ Never swap the plus (+) and negative (–) battery terminals. ▪ When installing the battery, first connect the plus cable and then the negative cable. ▪ When removing the battery, first disconnect the negative cable and then the plus cable. ▪ It is imperative to prevent short circuits and mass contact of current carrying cables. ▪ If faults occur, check the cable connections for good contact.

 DANGER	
	<p>Danger of explosion from flammable substances.</p> <p>There is a danger of explosion from flammable gases.</p> <ul style="list-style-type: none"> ▪ Keep batteries away from open flames and incendiary sparks. ▪ Do not smoke when working with batteries.

CAUTION


Danger of chemical burns

Chemical burns can occur when using batteries for the electrical operation.

- Protect your eyes, skin, and clothing from corrosive battery acid.
- Immediately rinse areas affected by splashed acid with clear water and consult a physician if necessary.

- Promptly replace defective indicator lamps.
- Do not disconnect the battery while the machine is running. Resulting voltage peaks could destroy the electronic components.
- When performing welding work on the machine, disconnect the battery and place the ground clamp of the welding equipment as close as possible to the welding area. Disconnect the plug connectors to the engine control unit and to the voltage regulator of the three phase alternator.

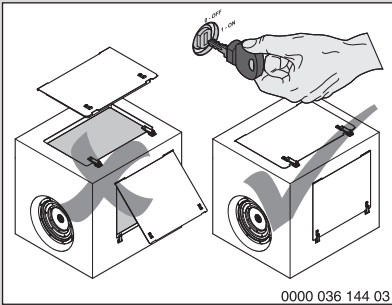
NOTICE






- We cannot be held liable for electrical equipment that is not designed according to HATZ wiring diagrams.


3.3 Labels

Warning labels and information signs on the engine

sign	Meaning
<p>Engine specification Silent Pack</p> 	<p>CAUTION! Danger of injury from rotating parts.</p> <ul style="list-style-type: none"> ▪ Only operate the engine when all covers are installed.

sign	Meaning
 <p style="text-align: center;">or</p> 	<p>Warning of hot surfaces!</p>
	<p>Cleaning with a high pressure cleaner is prohibited!</p> <ul style="list-style-type: none"> ▪ Do not spray the Hatz instrument box with a high-pressure water jet.

Warning labels and information signs on the battery (option)

sign	Meaning
 <p style="text-align: center;">Pb</p>	<ol style="list-style-type: none"> 1. Fire, sparks, open flames and smoking are prohibited: avoid causing sparks when working with cables and electrical machines. Avoid short-circuits. 2. Follow the instructions on the battery and in the battery user manual. 3. Keep children away from acid and batteries. 4. Danger of explosion: A highly explosive electrolytic gas is created when batteries are charged. 5. Wear safety goggles when filling. 6. Danger of chemical burns: Battery acid is highly corrosive. Therefore, wear safety gloves and eye protection. Do not tilt the battery; acid may spill out of the vent openings. 7. Do not dispose of the battery with the household trash. 8. Take the used battery to a collection center.

4 Technical data

4.1 Engine information and filling quantities

Type		3H50	4H50
Type		Liquid-cooled four stroke diesel engine	
Combustion system		Direct injection	
Number of cylinders		3	4
Bore/Stroke	mm	84 / 88	84 / 88
Displacement	Liter	1.463	1.951
Engine oil consumption (after running-in period)	Max.	0.5 % of fuel consumption, pertaining to full load	
Engine oil pressure		2.5 bar to 4.5 bar	
Sense of rotation		Left (view toward flywheel)	
Tappet clearance		Automatic hydraulic valve adjustment (maintenance-free)	
Max. perm. continuous tilt position ¹⁾		HATZ cooler with integrated expansion tank cooler low: 20°, other parts: 30°	
		HATZ cooler with external expansion tank	
		30°	30°
		40° ²⁾	35° ²⁾
Battery capacity	Max.	12 V – 110 Ah / 760 A (EN) / 800 A (SAE)	
		24 V – 66 Ah / 510 A (EN) / 540 A (SAE)	

¹⁾ Exceeding these limit values causes engine damage!

²⁾ Permissible tilt position for a maximum of 7 hours. After this period, return the engine from the tilt position to the horizontal position and switch it off for at least 5 minutes. Merely a reduction in the tilt position is not sufficient.

Engine specifications

Model	Description
T	With turbocharger.
TIC	With turbocharger, charge air cooling, cooled exhaust gas recirculation (EGR) and diesel oxidation catalyst (DOC)
TICD	With turbocharger, charge air cooling, cooled exhaust gas recirculation (EGR), diesel oxidation catalyst (DOC) and diesel particulate filter (DPF).
OPU	Open Power Unit. Complete system with all components required for engine cooling.
Silent Pack	Open Power Unit with noise and weather protection capsule.

Engine oil capacities

Type	Oil sump *					
	h (mm)	tot. ltr. ¹⁾	dif. ltr. ²⁾	h (mm)	tot. ltr. ¹⁾	dif. ltr. ²⁾
3H50	118	5.0	0.8	149	5.9	1.0
4H50	118	7.0	1.0	149	7.3	1.0
	148	9.0	1.0			

* To determine the engine oil capacity, note dimension (h) and the oil sump contour.

¹⁾ **tot. ltr.:** Engine oil capacity (in liters) for oil change with filter change.

²⁾ **dif. ltr.:** Oil refill quantity (in liters) between the "min" and "max" marking on the dipstick.

These values are approximations only. The max. mark on the dipstick is decisive in any case (see chapter 7.5 *Check the oil level*, page 69).

Coolant filling quantities (engines with Hatz cooler)

	Hatz cooler	
	With external expansion tank	With integrated expansion tank
Type	Filling quantity in liters *	
3H50 T	–	7.9
3H50 TI	12,6	13.3
3H50 TIC	12,6	13.3
3H50 TICD	12,6	13.3
4H50 Ti	13.7	14,4
4H50 TIC	13.7	14,4
4H50 TICD	13.7	14,4

* These values are approximations only. The **MAX** marking on the dipstick applies in all cases (see section 6.5 *Filling the cooling system, page 58*).

Weights (without operating fluids)

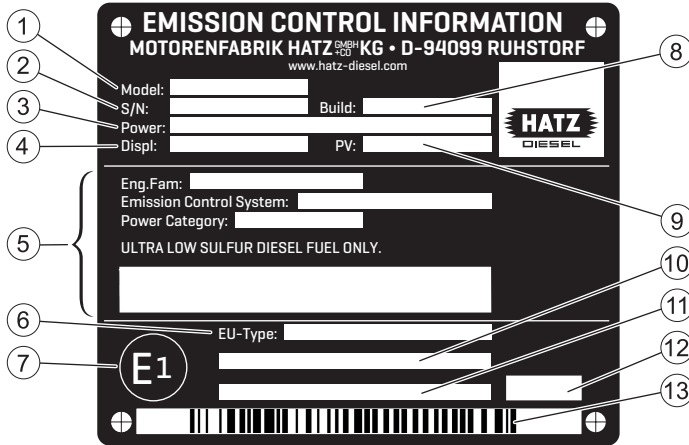
	Model		
	Standard	OPU	Silent Pack
Type	Weight in kg		
3H50 T	132 *	188	–
3H50 TIC	154 *	236	333
3H50 TICD	161 *	243	345
4H50 TIC	173 *	255	354
4H50 TICD	180 *	262	366

* Without cooler.

Screw tightening torque

Designation	Nm
Oil drain screw	58
Drain screw on engine cooler	50
Drain screw on charge air cooler	50
Connection and fixing screws (M10) for protective guard (engine specification TI, TIC, TICD)	30
Connection and fixing screws (M8) for protective guard (engine specification T)	23
Screws for the breather cap of the crankcase ventilation	4

4.2 Engine type plate



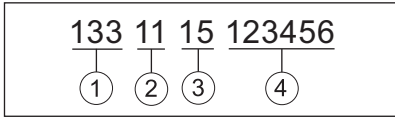
1	Model designation of the engine
2	Engine serial number
3	Engine power (kW) at rated speed (rpm)
4	Displacement (liters)
5	Information for US emission certification (EPA/CARB)
6	EU type approval number
7	EU country of origin (Germany)
8	Model year (month/year)
9	Test specification for special settings
10	Engine family designation or exemption code (EM) or transition code (TM) according to regulation (EU) 2016/1628
11	Additional specifications according to Regulation 2017/656 (exceptions) or "Separate shipment information"
12	Code for type plate variant
13	Barcode (engine serial number)

The following data must always be specified in case of queries and for spare parts orders:

1	Model designation
2	Engine serial number

4.2.1 Engine serial number

Breakdown of the engine serial number



1	Engine type number
2	Engine serial number
3	Model year
4	Fabrication number (consecutive)

Engine type number

The engine type number makes it possible to see if the engine is equipped with a diesel oxidation catalyst (DOC). There are more stringent requirements on engine oil and fuel quality for engines with DOC (see chapter 4.3 *Engine oil*, page 26 and chapter 4.5 *Fuel*, page 32). The following table shows which engine types are equipped with DOC.

Engine type number	Type number	DOC
135	3H50TIC	X
136	4H50TIC	X
164	3H50TICD	X
165	4H50TICD	X
178	3H50T	

4.3 Engine oil

Oil quality

All oil brands that meet at least one of the following specifications are suitable:

Engines with diesel oxidation catalyst (DOC)

(for details, see section 4.2.1 *Engine serial number*, page 26).

- **ACEA E6 or E8** (recommended)
- **ACEA E9 or E11**
- **ACEA C3 / C4** (HTHS ≥ 3.5 mPas)
- **API CK-4 or CJ-4**

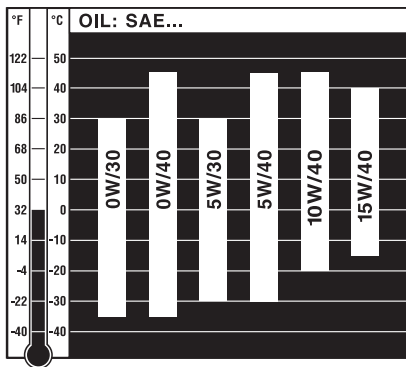
CAUTION**Damage to the diesel oxidation catalyst (DOC) from using unsuitable engine oil.**

Unsuitable engine oil diminishes the functionality and service life of the catalytic converter and diesel particulate filter. Only use engine oils with very low quantities of sulfate ash, phosphor and sulfur – so-called "low SAPS" oils which fulfill at least one of the specifications mentioned above.

Engines without diesel oxidation catalyst (DOC)

(for details, see section 4.2.1 *Engine serial number*, page 26).

- ACEA E6, E7 or E9
- ACEA C1, C2, C3 or C4
- API CK-4, CJ-4 or CI-4

Oil viscosity

Select the recommended viscosity depending on the ambient temperature at which the engine will be operated.

CAUTION**Engine damage from unsuitable engine oil.**

Unsuitable engine oil considerably reduces engine service life. Only use engine oil that fulfills the specifications stipulated above.

4.4 Coolant





Introduction

Liquid-cooled engines require a coolant specified by HATZ for engine cooling.

Coolant is prepared in accordance with manufacturer's instructions, please comply with the information on the packaging label.

Cooler protection fluids give effective protection against corrosion and freezing. In addition, the coolant boiling point is significantly raised and deposits of lime in the cooling system are reduced.

Safety notes

 CAUTION	
	<p>Danger of damage to health</p> <p>Cooler protection fluids are harmful to health.</p> <ul style="list-style-type: none"> ▪ Avoid contact to eyes and skin. ▪ Store only in the sealed original container and in a place inaccessible for unauthorized persons. ▪ Comply with manufacturer's instructions.
 CAUTION	
	<p>Danger of environmental damage from spilled coolant.</p> <p>Coolant is water-polluting.</p> <ul style="list-style-type: none"> ▪ Do not allow them to enter the ground water, water bodies, or sewage system. ▪ Collect the coolant and dispose of it according to local environmental regulations.
CAUTION	
	<p>Danger of engine damage from cooler protection fluid.</p> <p>Use of a cooler protection fluid not approved by HATZ can cause engine damage.</p> <ul style="list-style-type: none"> ▪ If you have any questions, please contact your nearest HATZ Service before commissioning the engine.

Recommended cooler coolant

Product name	Container	HATZ order no.
H-series Coolant	5 liters	0000 055 413 00

The **H-series Coolant** concentrate is exactly matched to the requirements of your HATZ diesel engine.

Alternative cooler protection fluids

If no H-series Coolant is available, other cooler protection fluids are approved by HATZ:

manufacturer	Product name
ADECO	ADECO FRIZANTIN G40
AO Obninskogrsintez	Lukoil antifreeze HD G12 K
Aqua Concept	Coracon® BF 6-35
ARAL	Aral Antifreeze Silikatfrei (silicate-free)
Arteco	Havoline XLC (OF02), Havoline XLC+B
Avia	AVIA ANTIFREEZE NG, AVIA COOLANT APN-S
BASF	Glysantin® G30®, Glysantin® G40®
BayWa AG	TECTROL COOLPROTECT SI-OAT
Belgin Madeni Yaglar Tic	LUBEX ANTIFREEZE G-12 PLUS, LUBEX ANTIFREEZE MG-40
BP	BP Procool
Castrol	Radicool SF, Radicool Si OAT
CCI	LLC L415
CEPSA	XTAR SUPER COOLANT Si-OAT
Chevron	Delo XLC Antifreeze/Coolant - Concentrate
CLASSIC	CLASSIC KOLDA UE G30, CLASSIC KOLDA UE G40
Comma	Comma Xstream G40, Mobil Antifreeze Advanced
Coparts	CAR1 Premium Longlife Kühlerschutz C40
ENI S.p.A.	Eni Antifreeze Spezial 12++
ExxonMobil	Mobil Antifreeze Advanced, Mobil Antifreeze Ultra
Finke Mineralölwerke	AVIATICON Finkofreeze F30, AVIATICON Finkofreeze F40
Fuchs	MAINTAIN FRICOFIN G 12 PLUS, MAINTAIN FRICOFIN LL, MAINTAIN FRICOFIN DP

manufacturer	Product name
Gulf	Gulf Eurocool G-40 Concentrate
Huiles Berliet S.A.	RTO Maxigel Plus
INA MAZIVA Ltd.	INA Antifriz BS Super
JMC	JMC coolant JM12 Plus
Kemetyl	CARIX COOLANT PREMIUM LONGLIFE, GLYCOCOOL LONGLIFE PREMIUM ANTIF.774 D-F, Shell Premium Antifreeze Longlife
Kuttenkeuler	Antifreeze K 12 Plus, Antifreeze ANF KK40, Top G 12 Plus, EVO ST40
LAEMMLE	PANOLIN ANTI-FROST MT-650
LUKOIL	LUKOIL COOLANT SOT
Marchem	Marchem AC58XLCB1-CON,
Minerva Oil	PERMA UNIVERSAL LL -37 °C
Mitan	Alpine C12, Alpine C12+, Alpine C30, Alpine C40
Mofin	MOFIN Kühlerschutz M40 Extra
MOL-LUB	EVOX Premium Concentrate
Moove Lubricants	Comma Xstream G30, Comma Xstream G40
MOTOREX AG	Antigel YORK 718, MOTOREX COOLANT M3.0 Concentrate, MOTOREX COOLANT M4.0 Concentrate, YORK 816 Antigel
Nalco	Nalcool NF40
Neste Markkinointi	Neste Pro Coolant XLC, Neste Pro+ Coolant M
Nils	NILS POLAR S-O
Orlen Oil	PETRYGO PLUS Cooler Coolant
Orvema	Protex® B-40
Pakelo Motor Oil S.r.l.	Pakelo Red Coolant OAT, Pakelo Red Coolant SI-OAT
PANOLIN AG	PANOLIN ANTI-FROST MT-650
Petrol	ANTIFRIZ KONCENTRAT, ANTIFRIZ MAX
Petrol Ofisi	PO EXTENDED LIFE COOLANT
PrixMax	PrixMax MEG95

manufacturer	Product name
Raloy Lubricantes	Antifreeze Raloy G-30, Raloy Anticongelante Concentrate (G40)
Recochem	HD Expert™ Endurance
REPSOL LU-BRICANTES	REPSOL ANTI.REF.ORGANICO MAXIMUM QUALITY, REPSOL GUARD REFRIGERANTE ORGANICO MQ
SCT	AG40 Liquido Refrigerante
Sinopec	SINOPEC Antifreeze B25.5
Shell	Shell Coolant Longlife G12+ Concentrate
SMB	POWER COOLING NG
Tedex	Tedex Antifreeze OT LL
Tirreno Industria	TIRRENO ORGANIC COOL G 300 TIRRENO ORGANIC COOL G 400
Total	Total Glacelf Auto Supra, Glacelf SI-OAT
Valvoline	Valvoline OEM Advanced 30, Valvoline OEM Advanced 40, Zerex G 30, Zerex G 40
	NATO S-759

Preparation of the coolant

CAUTION

Danger of engine damage from incorrect cooler protection fluid concentration.

A too low cooler protection fluid concentration increases the risk of corrosion and also the risk of the cooling system freezing. A cooler protection fluid proportion of over 50 vol% degrades the cooling action and also the protection against frost is reduced. Therefore, serious engine damage may result from exceeding or dropping below the cooler protection fluid concentration.

- The cooler protection fluid must be prepared according to the manufacturer's instructions before filling into the cooling circuit or some cooler protection fluids are also offered as premixed formulations. Be sure to comply with the information on the packaging label.
- If the cooler protection fluid has to be mixed with water, use only clean water that is not too hard. Drinking water with as low a content of salt, minerals and suspended matter as possible is ideal. Demineralized or distilled water is also ideal.

The following values must not be exceeded:

Water quality	Max.
Water hardness (°dGH)	20
Water hardness (mmol/l)	3.6
Chloride content (ppm)	100
Sulfate content (ppm)	100

The coolant mixture ratio must not be below or exceed the following concentration:

Cooler protection fluid	Water	Frost-resistant to approx. *
min. 40 vol%	60 vol%	-24 °C
max. 50 vol%	50 vol%	-36 °C

* These details depend on the product in question. Be sure to comply with the packaging label.

4.5 Fuel

Fuel type

All types of diesel fuel that meet the minimum requirements of the following specifications are suitable:

- **Europe: EN 590**
- **Europe: EN 15940**
This is "paraffinic diesel fuel from synthesis or hydrotreatment", frequently available under the abbreviations XTL (X-to-liquid), BTL (biomass-to-liquid), GTL (gas-to-liquid), HVO (hydrotreated vegetable oils), e-Fuels (electrofuels) or CTL (coal-to-liquid)
- **UK: BS 2869 A1 / A2**
- **USA: ASTM D 975-09a 1-D S15 or 2-D S15**
- **USA: ASTM D 975-09a 1-D or 2-D** (only for engines without diesel oxidation catalyst (DOC)) For details on equipping with a DOC, see chapter 4.2.1 *Engine serial number, page 26.*
- **Japan: JIS K 2204** (with a maximum HFRR value of 520 µm)

CAUTION	
	<p>Danger of engine damage from low quality fuel.</p> <p>The use of fuel that does not meet the specifications can lead to engine damage.</p> <ul style="list-style-type: none"> ▪ The use of fuels that do not meet specifications require approval by Motorenfabrik HATZ (main plant).

CAUTION**Danger of malfunctions due to old fuel.**

When diesel fuel is stored in a fuel tank or canister for lengthy periods, deposits may form on account of fuel aging. These deposits result in malfunctions due to clogged fuel filters and damage to the injection system.

- Perform the prescribed storage steps in machines that will be out of use for more than three months (see chapter 10.1 *Storing the machine, page 136*).
- Only refuel with fresh diesel fuel such as can be obtained from filling stations.

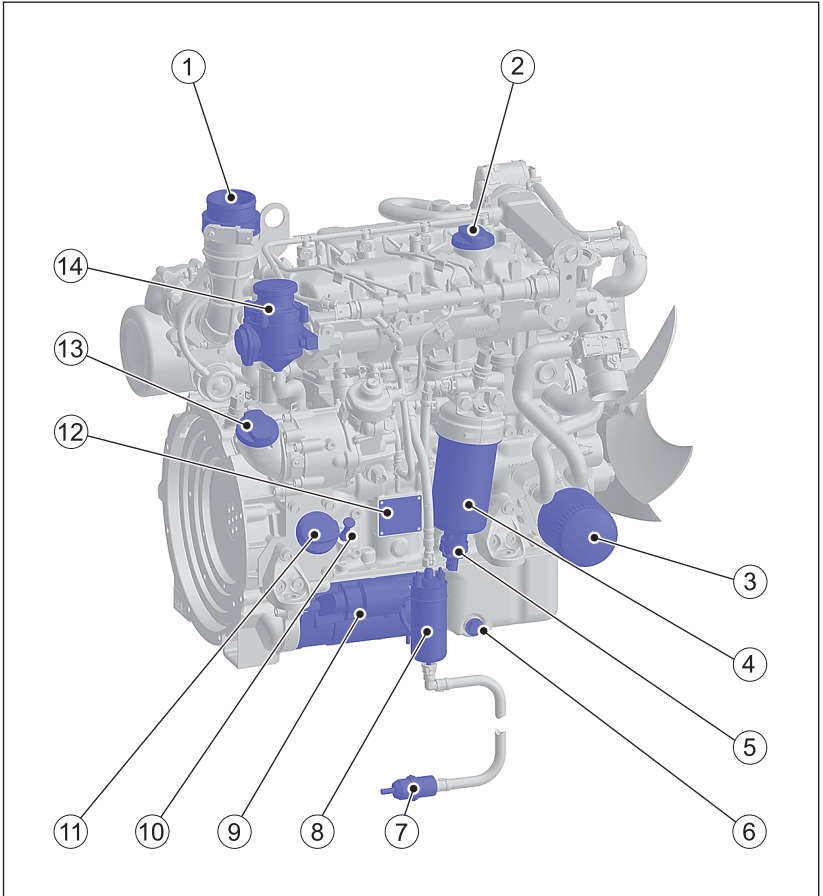
Winter fuel

Diesel fuel loses its fluidity at low temperatures, which can lead to operating problems. Use cold-resistant winter diesel fuel for outside temperatures below 0 °C.

5 Engine overview

5.1 Designation of components

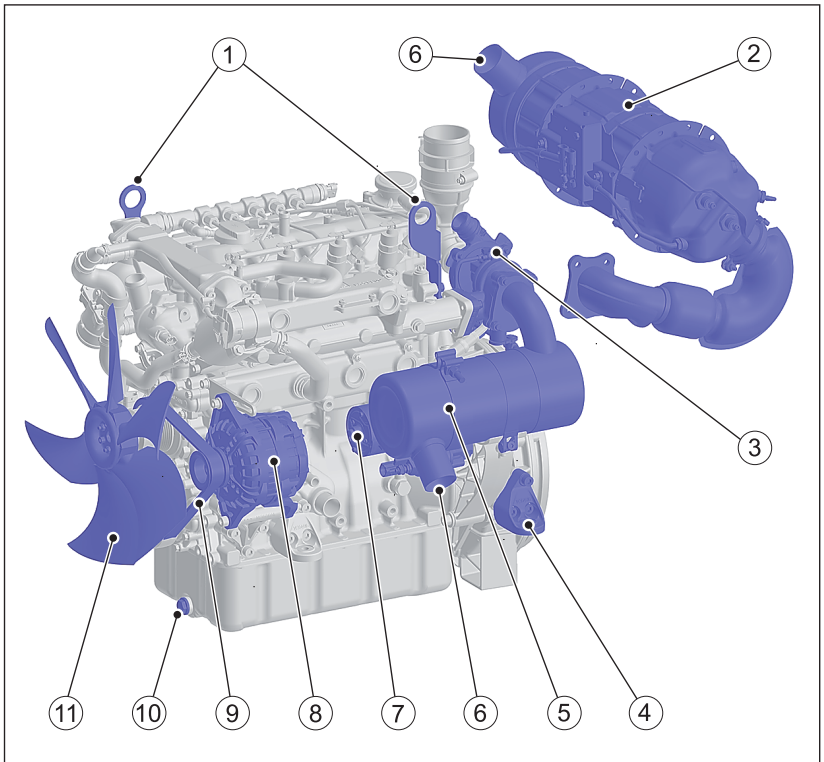
Model – TIC
intake side



1	Intake opening for combustion air
2	Oil filler plug, top (option)
3	Oil filter
4	Main fuel filter
5	Drain screw with integrated water in fuel sensor
6	Side oil drain screw

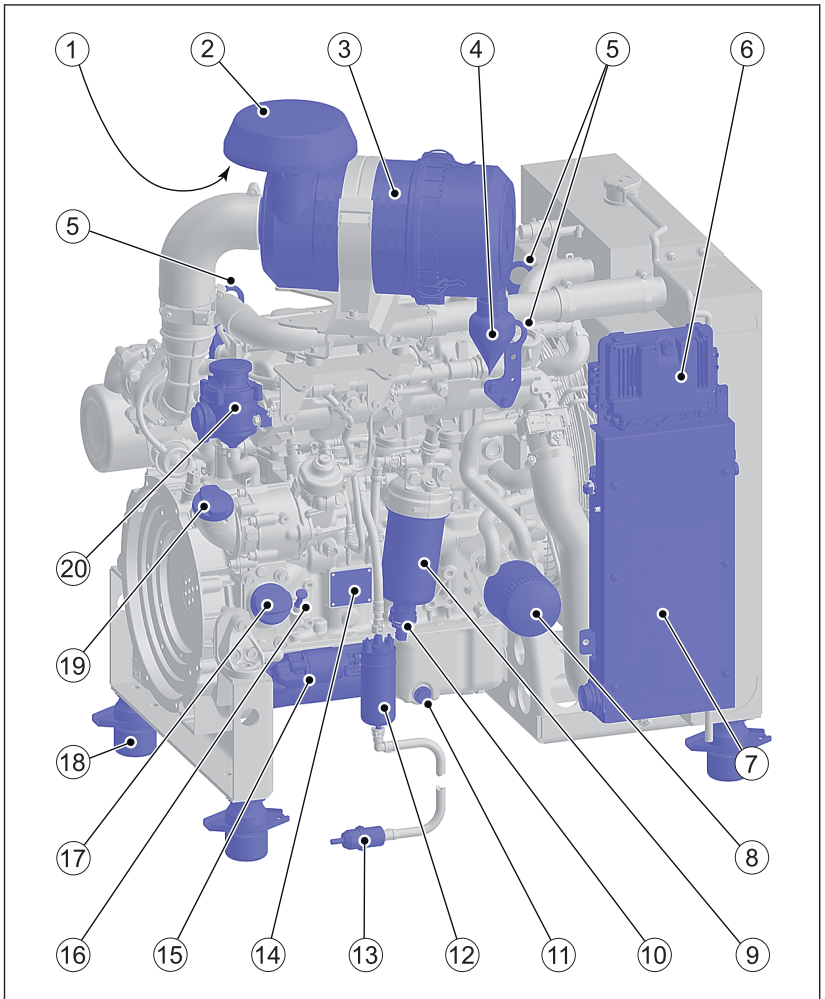
7	Fuel prefilter
8	Electric fuel pump
9	Starter (low mounting position)
10	Dipstick
11	Oil filler plug, bottom
12	Engine type plate
13	Oil filler plug, middle (option)
14	Crankcase ventilation

Model – TIC/TICD
exhaust side



1	Lifting eyes
2	DPF system with diesel oxidation catalytic converter and diesel particulate filter (TICD model)
3	Turbocharger
4	Engine foot
5	Diesel oxidation catalytic converter DOC (TIC model)
6	Exhaust outlet
7	Starter (high mounting position)
8	Three phase alternator
9	Poly v belt
10	Oil drain screw, front
11	Fan

Model – OPU
intake side



NOTICE

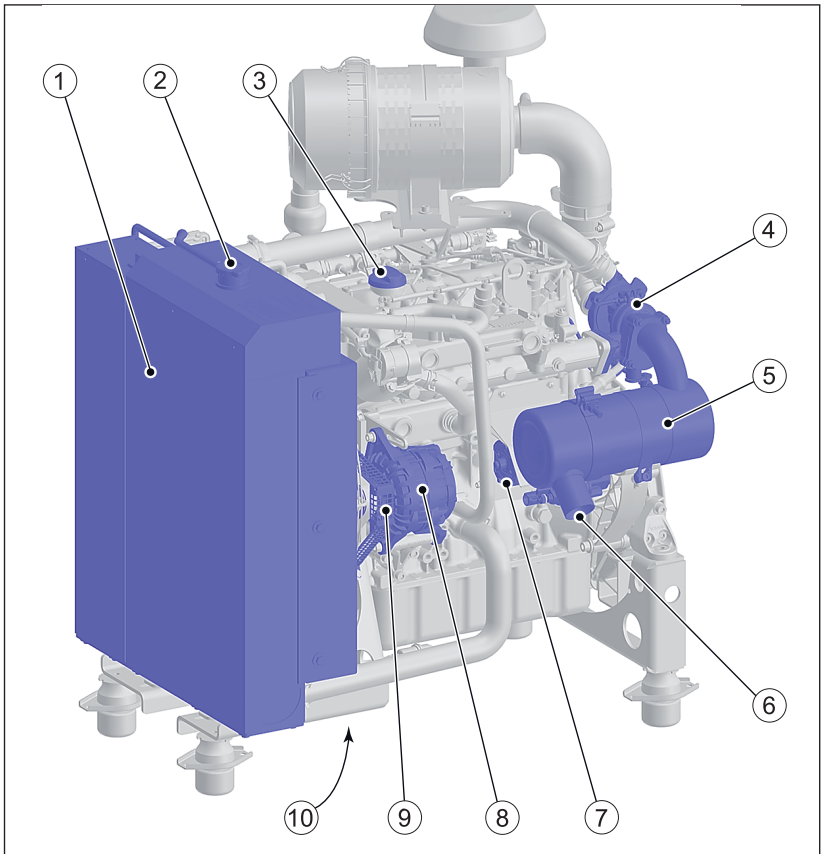


The Open Power Unit (OPU) is a complete system which, in addition to the engine, also includes all of the components required for cooling.

1	Intake opening for combustion air
2	rain cap

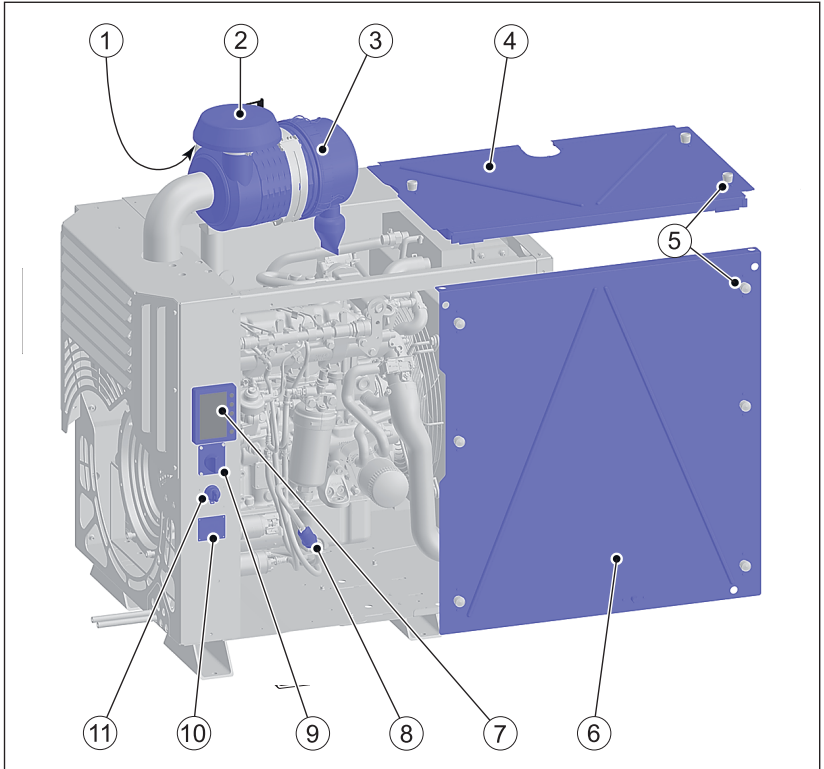
3	Air filter (optional)
4	Dust discharge valve
5	Lifting eyes
6	Engine control unit
7	Plug holder with integrated relay, glow control unit and fuse holder
8	Oil filter
9	Main fuel filter
10	Drain screw with integrated water in fuel sensor
11	Side oil drain screw
12	Electric fuel pump
13	Fuel prefilter
14	Engine type plate
15	Starter (low mounting position)
16	Dipstick
17	Oil filler plug, bottom
18	Vibration damper
19	Oil filler plug, middle (option)
20	Crankcase ventilation

Model – OPU
exhaust side



1	Radiator with integrated expansion tank
2	Sealing cap for coolant
3	Oil filler plug, top (option)
4	Turbocharger
5	Diesel oxidation catalyst (DOC)
6	Exhaust outlet
7	Starter (high mounting position)
8	Three phase alternator
9	Belt guard (option)
10	Oil drain screw, front

Encapsulated model – Silent Pack



NOTICE

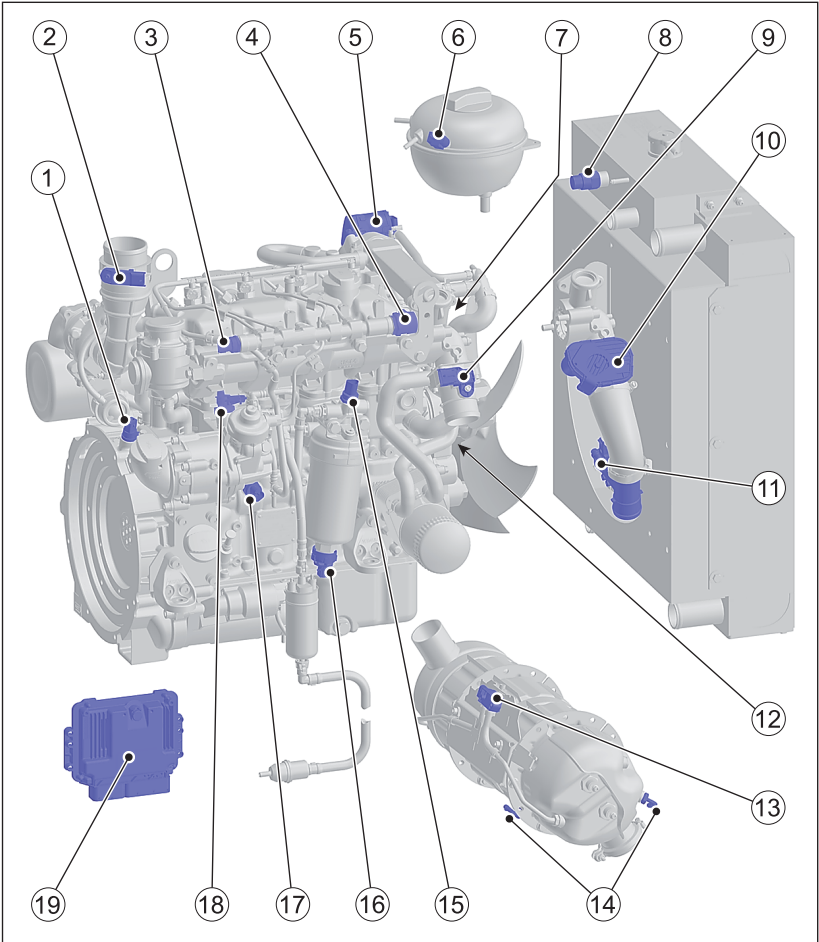



The Silent Pack is an Open Power Unit (OPU) that is surrounded by a noise and weather protection capsule. The maintenance covers (4) and (6) can be removed for daily maintenance work. The individual maintenance positions are shown on the figures of the OPU.

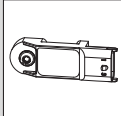
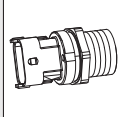
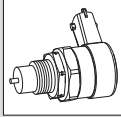
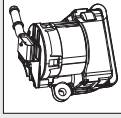
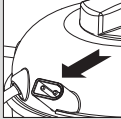
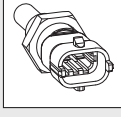
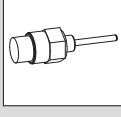
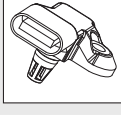

1	Intake opening for combustion air
2	rain cap
3	Air filter (optional)
4	Top maintenance cover
5	Clamp-type fasteners
6	Side maintenance cover
7	HATZ Smart Panel (HSP)

8	Fuel prefilter
9	Speed control (option)
10	Engine type plate
11	Ignition lock

Components of the electronic engine control unit



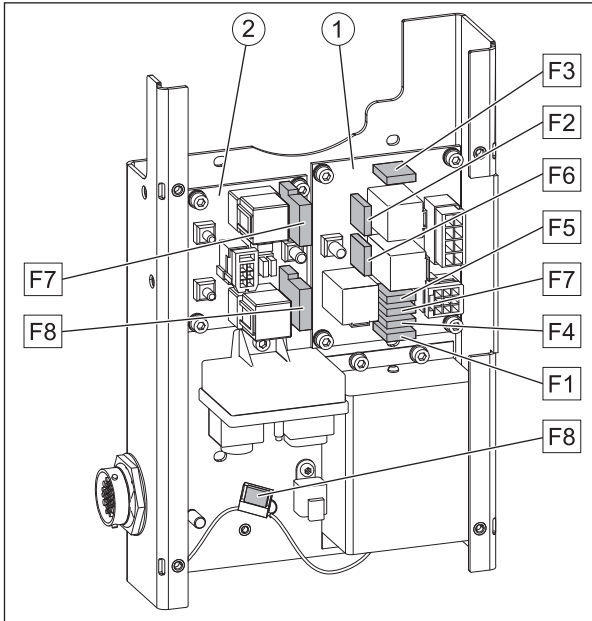
Pos.	Designation	Figure
1	Crankshaft speed sensor	

Pos.	Designation	Figure
2	Air filter differential pressure sensor	
3	Rail pressure sensor	
4	Rail pressure control valve	
5	EGR valve	
6	Coolant level sensor (integrated in external expansion tank)	
7	Coolant temperature sensor	
8	Coolant level sensor (for cooler with integrated expansion tank)	
9	Charge air pressure and charge air temperature sensor	
10	Intake throttle (TICD model)	

Pos.	Designation	Figure
11	Air mass meter (TICD model)	A cylindrical air mass meter with a sensor probe extending from the top and a mounting bracket on the side.
12	Camshaft sensor	A cylindrical camshaft sensor with a central probe and a mounting bracket.
13	Differential pressure sensor (TICD model)	A rectangular differential pressure sensor with two ports and a mounting bracket.
14	Exhaust gas temperature sensor (TICD model)	A long, thin exhaust gas temperature sensor with a protective sheath and a mounting bracket.
15	Low fuel pressure and fuel temperature sensor	A cylindrical low fuel pressure and fuel temperature sensor with a central probe and a mounting bracket.
16	Water in fuel sensor	A cylindrical water in fuel sensor with a central probe and a mounting bracket.
17	Oil pressure and oil temperature sensor	A cylindrical oil pressure and oil temperature sensor with a central probe and a mounting bracket.
18	Metering unit on the high-pressure pump	A complex metering unit on the high-pressure pump with multiple ports and a mounting bracket.
19	Ambient pressure sensor (integrated in the engine control unit)	A rectangular ambient pressure sensor with a mounting bracket and a central probe.

5.2 Fuses

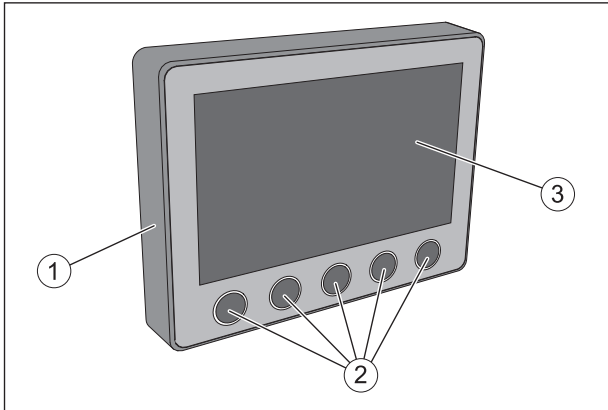
Overview - fuse assignment



Pos.	Consumer	Fuse
1	Central electrical system	
F1	Signal inputs for control unit	5 A
F2	Fuel pump	10 A
F3	Glow plugs	40 A
F4	Voltage supply for control unit	15 A
F5	Ignition, terminal 15	10 A
F6	Starter, terminal 50	30 A
F7	Ignition, terminal 15 (for additional consumers that are switched via the ignition lock)	4 A
F8	Voltage converter (only for 24 V system)	15 A
2	Power module (option)	
F7	Exhaust gas heating 1	50A
F8	Exhaust gas heating 2	50A

5.3 Hatz Smart Panel (HSP)

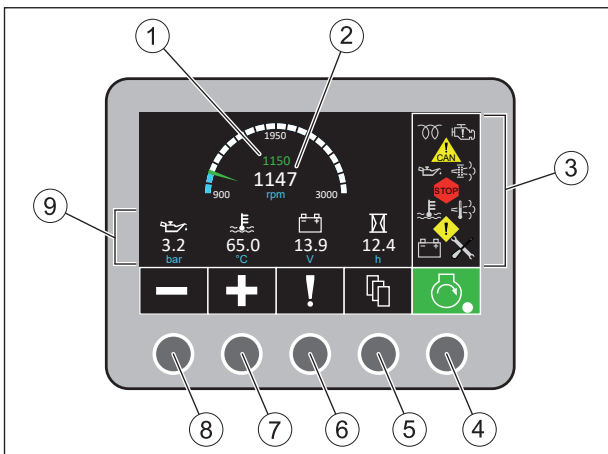
Overview



1	Housing
2	Function keys
3	Display

5.3.1 Main menu

Overview



1	Preselected engine speed indicator
2	Actual engine speed
3	Warning and indicator lamps

4	Button for START – STOP Only in model "Engine start/engine stop via CAN bus"
5	Menu selection key
6	Button for calling up the diagnostic trouble codes
7	Button for speed increase
8	Button for speed reduction
9	Information line

Engine speed





The buttons (7) and (8) can be used to preset the desired speed while the engine is switched off or to adjust the speed while the engine is running. Pos. (1) shows the preset engine speed, and pos. (2) shows the actual engine speed.











Information line




Displays the current values for:

- Engine oil pressure
- Coolant temperature
- System voltage
- Operating hours

Explanation of symbols

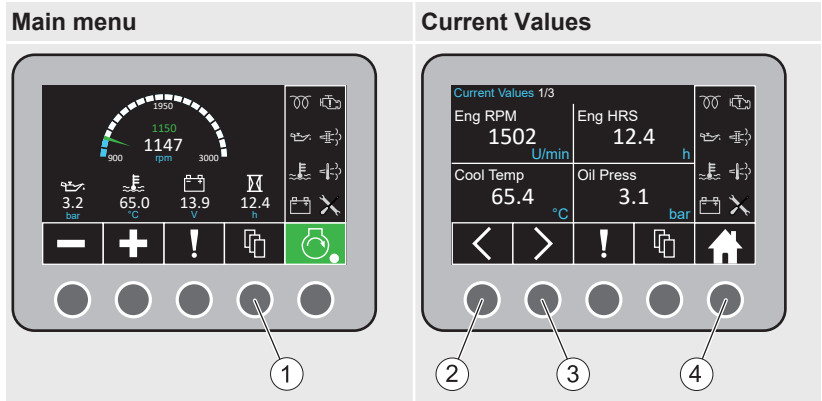
Symbol	Meaning
	"Engine switched off" indicator (red) The engine is in standby or automatic mode. Only in model "Engine start/engine stop via CAN bus".
	"Engine in operation" indicator (green) The engine is running. Only in model "Engine start/engine stop via CAN bus".
	Menu selection The following menus are available for selection: <ul style="list-style-type: none"> ▪ Current Values (page 1-3) ▪ Regeneration (only in engine specification TICD) ▪ Diagnostic Trouble Codes (active + historical) ▪ Page Selection
	Diagnostic Trouble Codes Displays the active and historical diagnostic trouble codes.

Symbol	Meaning
	Speed increase Only in model with variable speed.
	Speed reduction Only in model with variable speed.
	Warning and indicator lamps:
	Pre-glow indicator Lights up at engine temperatures below 30 °C. Start the engine after the indicator has gone out.
	Oil pressure indicator Engine oil pressure too low. Danger of engine damage. Switch off the engine immediately and check the oil level. Contact HATZ Service if the oil level is correct.
	Coolant temperature indicator (orange) Increased coolant temperature. Operate engine at reduced load. Stop the engine if the engine temperature indicator has not gone out after 5 minutes.
	Coolant temperature indicator (red) Coolant temperature is impermissibly high. Switch off the engine immediately! Danger of engine damage.
	Charge control Fault in the alternator or alternator charging circuit. The battery is no longer charged. Eliminate the fault immediately.
	Fault lamp – CAN Problem with the CAN connection.
	Fault lamp – STOP The engine changes to emergency mode or switches off automatically.
	Error lamp – warning

Symbol	Meaning
	<p>Engine malfunction</p> <p>This indicator lights up if there an engine malfunction. Change to the diagnostic trouble code page for a fault diagnosis; see section 9.2 <i>Diagnostic trouble codes in case of engine malfunctions, page 130</i>.</p> <p>If the engine malfunction persists, contact a HATZ service center immediately.</p> <p>Depending on the engine specification, the engine controller reacts as follows in case of a malfunction:</p> <ul style="list-style-type: none"> ▪ Emergency operation The engine switches to emergency mode. In this situation, the available engine torque is reduced and the speed is limited to max. 1900 rpm. WARNING! To avoid secondary damage, the engine may only be operated in emergency mode for a very short period, e.g., to move the machine away from a critical location. Avoid staying in the vicinity of the running engine if possible. Switch off the engine and correct the fault promptly or contact a HATZ service center. ▪ Engine stop The engine switches off automatically.
	<p>Service interval indicator</p> <p>The 500-hour service is due. After completion of the service work, reset the service interval indicator, see section 8.2.18 <i>Resetting the service interval indicator, page 124</i>.</p>
	<p>Air filter service indicator</p> <p>Clean or replace the filter cartridge.</p> <p><i>Note:</i> This symbol lights up when activated instead of the service interval indicator.</p>

5.3.2 Menu – Current Values

Overview



1	Menu selection key
2	Page back
3	Page forward
4	Home (back to main menu)

Procedure

Step	Activity
1	Press the button for the menu selection (1). The display changes to the "Current Values" menu. This menu consists of 3 pages.
2	Select the desired page using the buttons (2) and (3).
3	Pressing the home button (4) returns the display to the main menu.

Indicators

Depending on the configuration, the following values can be displayed:

- Eng RPM (engine speed)
- Eng HRS (operating hours)
- Cool temp (coolant temperature)
- Oil Press (engine oil pressure)
- Oil Temp (engine oil temperature)
- V-Syst (system voltage)
- Charge Air Temp (charge air temperature)
- Cons./hrs. (fuel consumption per hour)

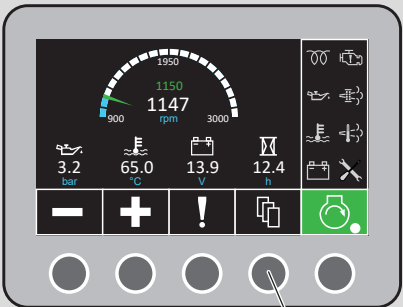
- Torque (absolute)
- Torque (refers to the maximum engine torque)
- Torque@RPM (refers to the maximum engine torque at the current engine speed)
- Fuel Temp (fuel temperature)
- Amb Press (barometric air pressure)
- Inject Qty (injection quantity)
- Charge Pressure
- Charge Air Temp (charge air temperature)
- HRS to Service (operating hours remaining until the next major service)

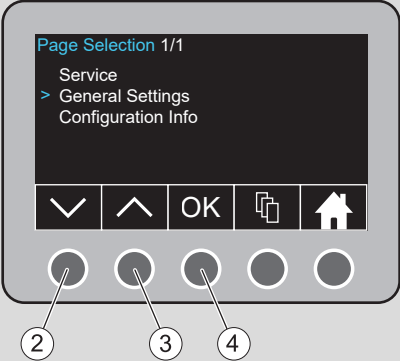


5.3.3 Menu – General Settings

The following settings can be adjusted:

- Brightness
- Language
- Units

Procedure

Step	Activity	Figure
1	In the main menu , press the button for menu selection (1) repeatedly until the Page Selection menu appears.	<p>Main menu</p>  <p>The screenshot shows a digital display with a tachometer at the top center showing 1150 rpm. Below it are four numerical readouts: 3.2 bar, 65.0 °C, 13.9 V, and 12.4 h. At the bottom, there is a row of five buttons: a minus sign, a plus sign, an exclamation mark, a document icon, and a green button with a circular arrow. The document icon button is circled in white with a '1' next to it, indicating it is the menu selection button.</p>

Step	Activity	Figure
2	Using buttons (2 or 3), select the General Settings menu and confirm with OK (button 4).	<p>Page Selection</p> 
3	Use the buttons (2 or 3) to change to the desired selection (e.g. language) and confirm with OK (button 4).	<p>General Settings</p> 
4	Using buttons (2 or 3), select the desired language and confirm with OK (button 4). Proceed in the same way to change the brightness or units. Pos. 5 = ESC (return to Page Selection). Pos. 6 = Home (return to main page).	<p>Language</p> 

6 Transport, installation and commissioning

6.1 Transport

Safety notes



WARNING



Danger of injury from improper lifting and transport.

Danger of crushing from the engine falling or tipping.

- The machine may only be lifted using the lifting points (1).
- Before lifting the engine, check the lifting eyes for deformation and damage. Lifting with deformed or damaged lifting eyes is not permitted. Replace deformed or damaged lifting eyes before using them for lifting.
- Before lifting the engine, ensure that the fixing screws of the lifting eyes are tight.
- Only use a suitable hoist with a sufficient carrying capacity.
- Always use all lifting eyes for lifting.
- Do not remain under suspended loads.



CAUTION



Only use the lifting eye for transporting the engine.

Do not use for lifting the entire machine.



CAUTION



Danger of injury from overloading the body.

Lifting the machine to transport it or to move it to another location can lead to injuries (of the back, for example).

- Only lift the machine with a hoist.

NOTICE



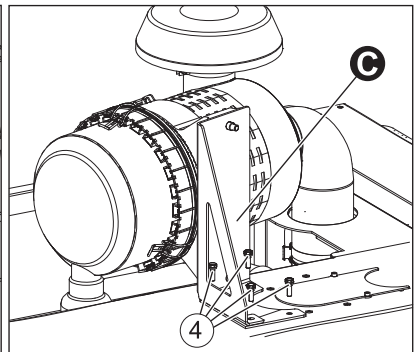
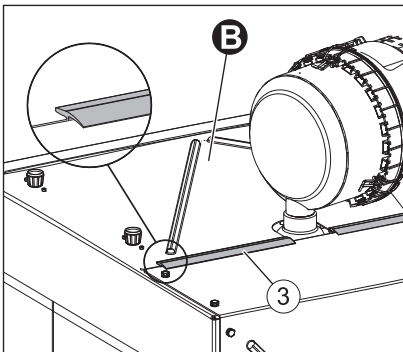
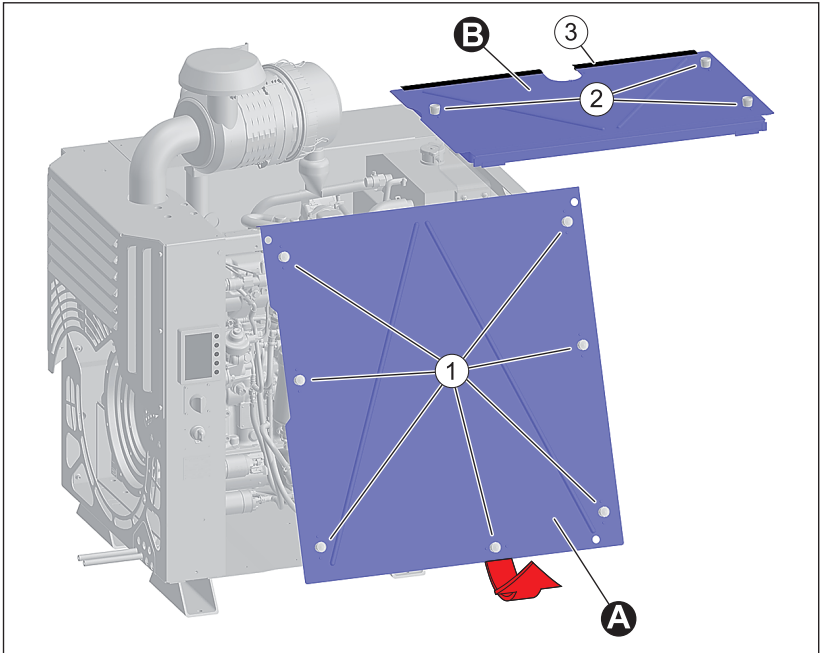
Danger of environmental damage from leaking fluid.

If the machine is tilted, engine oil and fuel can run out.

- Only transport the machine in an upright position.

Access to the lifting eyes with the Silent Pack

Overview



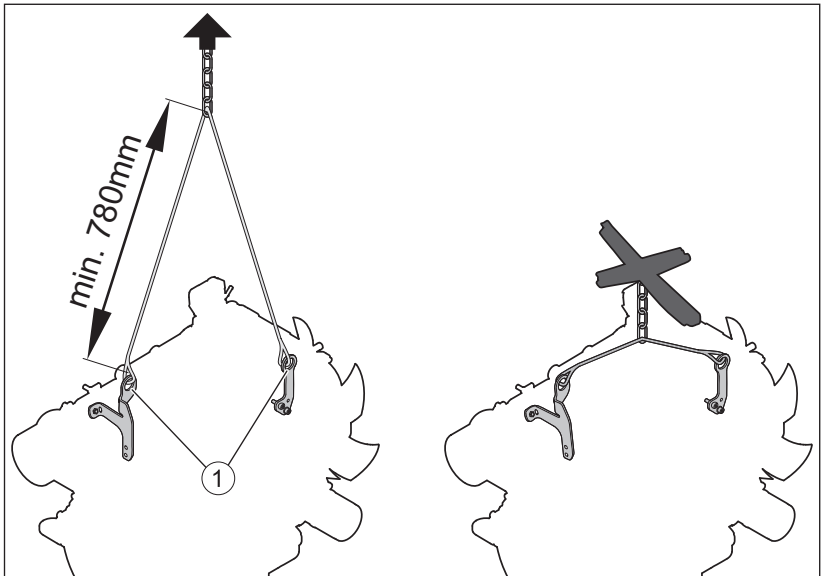
A	Control side maintenance lid
B	Top maintenance cover
C	Bracket for the air filter
1	Clamp-type fasteners for control side maintenance cover
2	Clamp-type fasteners for top maintenance cover

3	Sealing lip
4	Fixing screws for bracket for the air filter (4 pieces)

Procedure

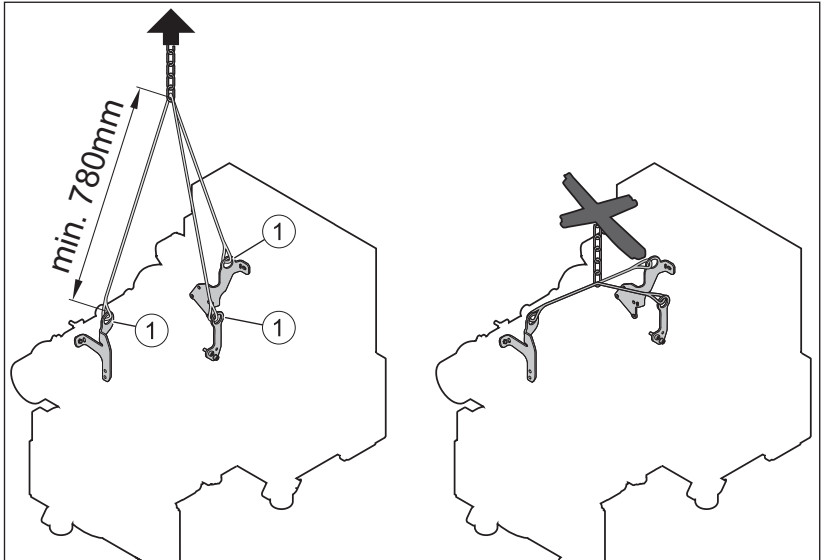
Step	Activity
1	Turn clamp-type fasteners (1) to the left up to the stop. Tip maintenance cover on the bottom to the outside and lift away upwards.
2	Turn clamp-type fasteners (2) to the left up to the stop and then remove the maintenance cover.
3	Unscrew the fixing screws (4).
4	Position of the lifting eyes, see section <i>lifting points (engines with 3 lifting eyes)</i> in this chapter.
5	Mount all parts again after completing the transport activities. Make sure that the seal lip (3) of the maintenance cover (B) is not trapped!

Lifting points (engines with 2 lifting eyes)



1	Lifting points
---	----------------

Lifting points (engines with 3 lifting eyes)



1 Lifting points

Transport conditions

- When transporting the machine, follow the safety instructions.
- When transporting, follow the applicable safety and accident prevention regulations.
- After delivery, check the machine for completeness and transport damage.
- Only transport the machine when it is switched off and has cooled down.
- If you have questions on transporting the machine, please contact your nearest **HATZ service station**. For contact data, see chapter 1 *Legal notices*, page 5 or www.hatz-diesel.com.

6.2 Installation notes

HATZ diesel engines are efficient, robust, and have a long service life. Therefore, they are usually installed in machines that are used for commercial purposes.

The machine manufacturer must follow the applicable regulations regarding machine safety – the engine is a part of a machine.

Depending on the use and installation of the engine, it may be necessary for the machine manufacturer and machine user to install safety equipment to prevent inappropriate use. Note the following:

- Parts of the exhaust gas system and the engine surface become hot during operation and may not be touched until they cool down after the engine is switched off.
- Incorrect cable connections and incorrect operation of the electrical equipment can lead to sparking and must be avoided.
- After the engine is installed in the machine, rotating parts must be protected against contact.
HATZ safety equipment is available for the belt drive of the cooling fan and alternator.
- Comply with all notices and warning labels on the engine and keep them in a legible condition. If an adhesive label should become detached or difficult to read, it must be replaced promptly. For this purpose, contact your nearest **HATZ service station**.
- Any improper modification of the engine will result in a loss of liability coverage for resulting damage.

Only regular maintenance, as specified in this manual, will maintain the operating readiness of the engine.

The **assembly instructions** contain important information on how to safely assemble the engine. They are available from any **Hatz service station**.

NOTICE



Connection and wiring plans can be viewed at www.hatz.com/docu after entry of the engine serial number located on the type plate directly on the engine.

If you have any questions, please contact your nearest **HATZ Service** before commissioning the engine.

6.3 Preparations for commissioning

- Check the delivered parts for completeness, damage, and other noticeable issues.
- Ensure that the setup location is adequately ventilated.



DANGER



Danger to life from inhaling exhaust gases.

Toxic engine exhaust gases can lead to loss of consciousness, and even death, in closed-off and poorly ventilated rooms.

- Never operate the machine in closed-off or poorly ventilated rooms.
- Do not breathe in the exhaust gases.

6.4 Filling engine oil (first filling)

Engines are normally delivered without an engine oil filling.

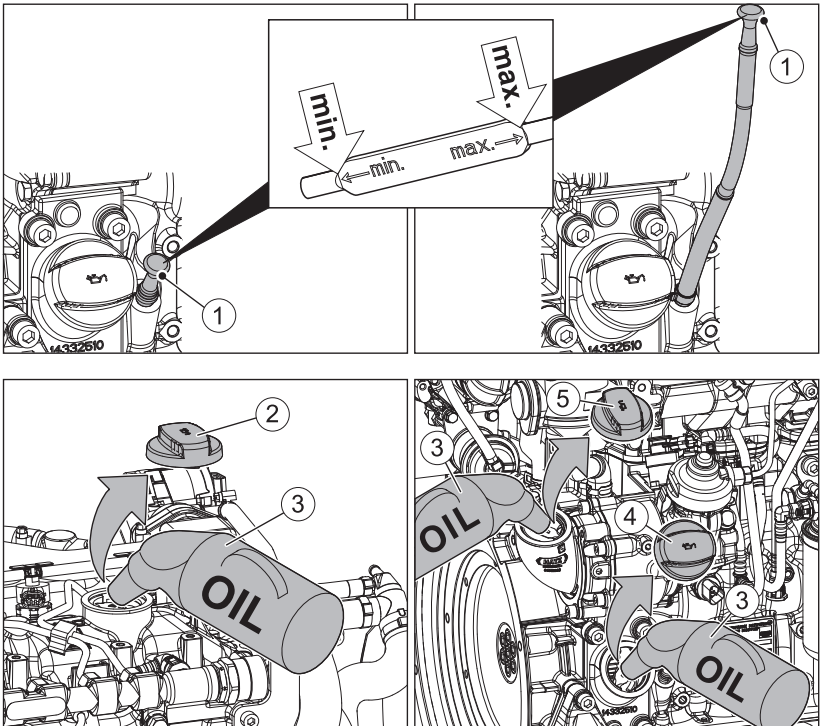
Safety note

CAUTION

Danger of later engine damage.

- Operating the engine with an oil level below the **min.** mark or above the **max.** mark can lead to engine damage.
- When checking the oil level, the engine must be horizontal and have been switched off for a few minutes.

Overview






1	Dipstick (depending on the model)
2	Oil filler plug, top (option)
3	Oil refilling container
4	Oil filler plug, bottom
5	Oil filler plug, middle (option)

Procedure

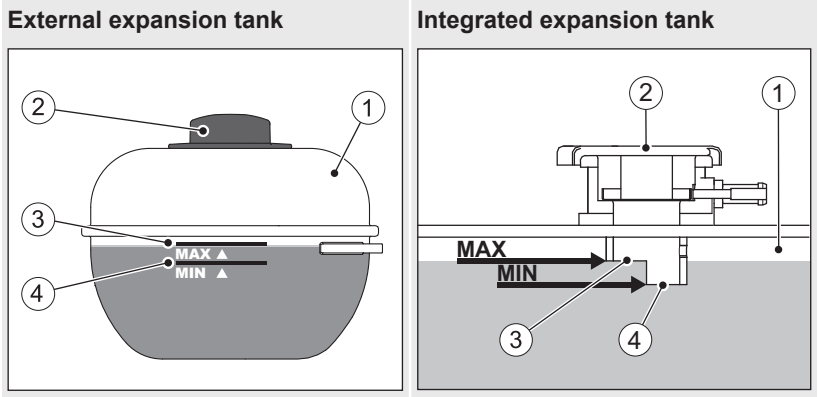
Step	Activity
1	Pull out the dipstick (1) and clean it.
2	Depending on the model, unscrew oil filler plug (2), (4) or (5).
3	Fill with engine oil. For the specification and viscosity, see section 4.3 <i>Engine oil</i> , page 26. For the filling quantity, see section 4.1 <i>Engine information and filling quantities</i> , page 21.
4	Reinsert the dipstick.
5	Pull out the dipstick and check the oil level.
6	If required, add engine oil to the max. mark.
7	Reinsert the dipstick.
8	Screw in the oil filler plug.

6.5 Filling the cooling system

Safety notes

 CAUTION	
 	<p>Danger of burns.</p> <p>There is a danger of burns when working on a hot cooling system. The cooling system is pressurized when the engine is hot.</p> <ul style="list-style-type: none"> ▪ Let the engine cool. ▪ Wear safety gloves.
CAUTION	
	<p>Danger of later engine damage.</p> <ul style="list-style-type: none"> ▪ Operating the engine with a coolant level below the MIN. mark can lead to engine damage. ▪ When checking the coolant level, the engine must be horizontal and switched off.

Overview



1	Expansion tank for coolant
2	Sealing cap
3	MAX - Maximum coolant level
4	MIN - Minimum coolant level

Procedure

Step	Activity
1	Open the sealing cap (2).
HATZ cooler with integrated expansion tank	
2	Top up the coolant to the edge (3) of the pipe section. For preparation of the coolant, see section 4.4 <i>Coolant</i> , page 28.
HATZ cooler with external expansion tank	
2	Top up the coolant to the MAX mark on the expansion tank. For preparation of the coolant, see section 4.4 <i>Coolant</i> , page 28.
3	Tighten the sealing cap (2) all the way by hand.
4	Start the engine (see chapter 7 <i>Operation and use</i> , page 62).
5	Warm up the engine until the coolant has reached a temperature of approx. 85 °C. Above this temperature the coolant is pumped through the entire cooling system and forces out remaining air bubbles.
6	Switch off the engine and let it cool down completely (see chapter 7 <i>Operation and use</i> , page 62).

Step	Activity
7	Check the coolant level again. The coolant must be seen between the MIN and MAX mark; for a warm engine the level can also be slightly above the MAX mark.
8	Check the cooling system for leaks, retighten the hose clips if necessary (see section 8.2.5 <i>Check the cooling system</i> , page 89).

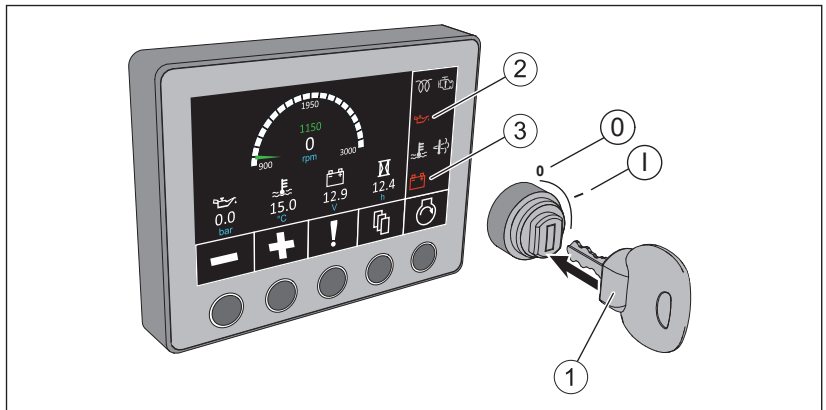
6.6 Venting the fuel system

Requirements

The fuel system must be bled in the following situations:

- At first filling of the fuel tank
- After the fuel prefilter or main fuel filter is replaced
- Engine shuts down due to empty fuel tank

Overview



1	Starting key
2	Oil pressure indicator
3	Charge control
Ignition lock	
0	Off
I	Operation

Procedure

Step	Activity
1	Insert the starting key all the way and turn to position "I". The oil pressure indicator (2) and charge control (3) light up.
2	Leave the starting key at position "I" until you hear the electrical fuel feed pump switch off (approx. 30 seconds).
3	Turn the starting key back to position "0". <i>Note:</i> Carry out steps 2 and 3 several times to press the air out of the fuel system.
4	Start the engine, see section 7 <i>Operation and use</i> , page 62.

7 Operation and use

7.1 Safety notes

NOTICE



Comply with the safety chapter!

Follow the basic safety instructions in chapter 3 *Safety*, page 7.



WARNING



Danger of injury from damage and defects on the machine.

- Do not take the machine into service if damage has been localized and identified.
- Replace defective components.



WARNING



Danger of injury from failure to follow the operating instructions and from performing unauthorized tasks on the machine.

- Define the responsibilities of the personnel taking the machine into service.
- Replace defective machine parts immediately.
- Check the installation conditions when the machine is first taken into service and after the machine has been inactive for a lengthy period.



WARNING





Danger of injury during emergency operation due to engine damage and defects.

The engine fault indicator lights up or flashes.

- To avoid secondary damage, the engine may only be operated in emergency mode for a very short period, e.g., to move the machine away from a critical location. For details on engine faults and fault diagnosis, see chapter 5.3 *Hatz Smart Panel (HSP)*, page 45.
- Avoid staying in the vicinity of the running engine if possible.
- Switch off the engine and correct the fault promptly or contact a HATZ service center.

CAUTION	
	<p>Danger of engine damage from low load operation.</p> <p>Operating the engine at no load or at very low load for an extended period can impair the running characteristics of the engine.</p> <ul style="list-style-type: none"> ▪ Make sure that the engine load is at least 15 %. ▪ Before switching off the engine following low load operation, briefly operate it at a considerably higher load.

Additional safety instructions for the first commissioning

 CAUTION	
	<p>Health hazard due to inhalation of flue gas.</p> <p>To protect exposed metal parts against corrosion, the parts concerned are coated with a protective wax. When the engine is started for the first time, this protective wax evaporates on hot components. This can lead to the generation of smoke for a brief period.</p> <ul style="list-style-type: none"> ▪ Do not inhale flue gas. ▪ Ensure sufficient ventilation.

7.2 Performing tests

Before starting

Before starting the engine, several tests need to be performed to ensure the machine is working properly.




Procedure

Step	Test
1	The machine is standing securely and on a level surface.
2	The installation location is adequately ventilated.
3	There is a sufficient amount of fuel in the fuel tank (see chapter 7.6 <i>Refueling</i> , page 71).
4	There is a sufficient amount of engine oil in the engine housing (see chapter 7.5 <i>Check the oil level</i> , page 69).
5	There is a sufficient amount of coolant in the expansion tank (see chapter 8.2.5 <i>Check the cooling system</i> , page 89).
6	Cooler and cooler hoses are free from leaks (see chapter 8.2.5 <i>Check the cooling system</i> , page 89).
7	No persons are located in the danger zone of the engine or machine.

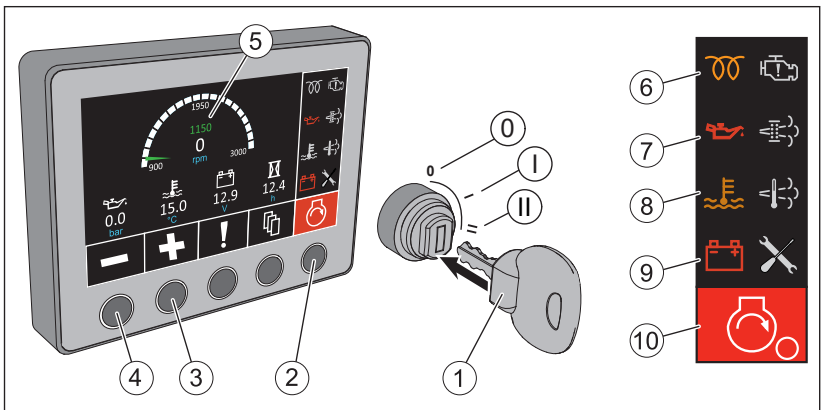
Step	Test
8	All safety equipment is in place.

7.3 Starting the engine

Safety notes

 DANGER	
	<p>Danger to life from inhaling exhaust gases.</p> <p>Toxic engine exhaust gases can lead to loss of consciousness, and even death, in closed-off and poorly ventilated rooms.</p> <ul style="list-style-type: none"> ▪ Never operate the machine in closed-off or poorly ventilated rooms. ▪ Do not breathe in the exhaust gases.
CAUTION	
	<p>Danger of engine damage from the use of starting fluid.</p> <ul style="list-style-type: none"> ▪ Engine damage from the use of starting fluid can lead to uncontrolled ignition. ▪ Engine damage from uncontrolled ignition. ▪ Never use starting fluid.
NOTICE	
	<p>See also starting instructions in the documentation for the complete machine.</p>

Overview – Hatz Smart Panel



1	Starting key
2	Button for START – STOP Only in model "Engine start/engine stop via CAN bus" (see also <i>Explanation of symbols</i> section 5.3.1 <i>Main menu</i> , page 45)
3	Speed increase Only in model with variable speed
4	Speed reduction Only in model with variable speed
5	Preselected engine speed indicator
6	Pre-glow indicator
7	Oil pressure indicator
8	Coolant temperature indicator
9	Charge control
10	"Engine switched off" indicator (red) The engine is in standby or automatic mode. Only in model "Engine start/engine stop via CAN bus"
Ignition lock	
0	Off
I	Operation
II	Start

NOTICE



For further details on the CAN display, see section 5.3 *Hatz Smart Panel (HSP)*, page 45.

Procedure

NOTICE



- Start for max. 30 seconds. If the engine is still not running after that, turn the starting key back to position "0" and eliminate the cause (see chapter 9.1 *Troubleshooting*, page 127).
- Turn the starting key to position "0" every time you want to start the engine. The starter protection module prevents the starter from engaging while the engine is running and becoming damaged.

Starting with the starting key

Step	Activity
1	<p>Insert the starting key all the way and turn to position "I".</p> <p>Depending on the model, the following indicators light up:</p> <ul style="list-style-type: none"> ▪ Pre-glow indicator (6) ▪ Oil pressure indicator (7) ▪ Charge control (9) <p><i>NOTE:</i> When indicator (8) lights up, the coolant temperature is impermissibly high. Do not start the engine; eliminate the cause.</p> <p>When the pre-glow indicator goes out, continue with step 2.</p>
2	<p>Depending on the model, it may be possible to select the desired engine speed using buttons (3) and (4) before the engine starts. The selected speed (5) is shown in the display.</p>
3	<p>Turn the starting key to position "II".</p>
4	<p>As soon as the engine is running, release the starting key.</p> <ul style="list-style-type: none"> ▪ The starting key springs back to position "I" and remains in this position during operation. ▪ The charge control (6) and oil pressure indicator (4) go out.

Starting on the Hatz Smart Panel

Only in model "Engine start/engine stop via CAN bus"

Step	Activity
1	<p>Insert the starting key all the way and turn to position "I".</p> <p>Depending on the model, the following indicators light up:</p> <ul style="list-style-type: none"> ▪ Pre-glow indicator (6) ▪ Oil pressure indicator (7) ▪ Charge control (9) <p><i>NOTE:</i> When indicator (8) lights up, the coolant temperature is impermissibly high. Do not start the engine; eliminate the cause.</p> <p>When the pre-glow indicator goes out, continue with step 2.</p>
2	<p>Depending on the model, it may be possible to select the desired engine speed using buttons (3) and (4) before the engine starts. The selected speed (5) is shown in the display.</p>

Step	Activity
3	Press key (2). The engine starts automatically. The charge control (9) and oil pressure indicator (7) go out after the engine starts. The symbol (10) changes its color from red to green and thus indicates that the engine is running.

NOTICE



- In case of irregularities, switch off the engine immediately.
- Identify the fault and eliminate it.
- For details of troubleshooting, see chapter 9.1 *Troubleshooting*, page 127.

7.4 Switching off the engine

Safety notes



CAUTION



Danger of injury from unauthorized access.

There is a danger of injury if unauthorized persons handle the machine.

- Protect the starting key against unauthorized access during breaks in operation or after completing work.

CAUTION

Danger of engine damage from overheating.

The switching off of the engine after high engine load or at high coolant temperature (engine temperature indicator lights up) can lead to engine damage due to heat accumulation.

- Allow the engine to cool down for approx. 5 min at reduced speed and load.

NOTICE



Danger of exhaustive battery discharge.

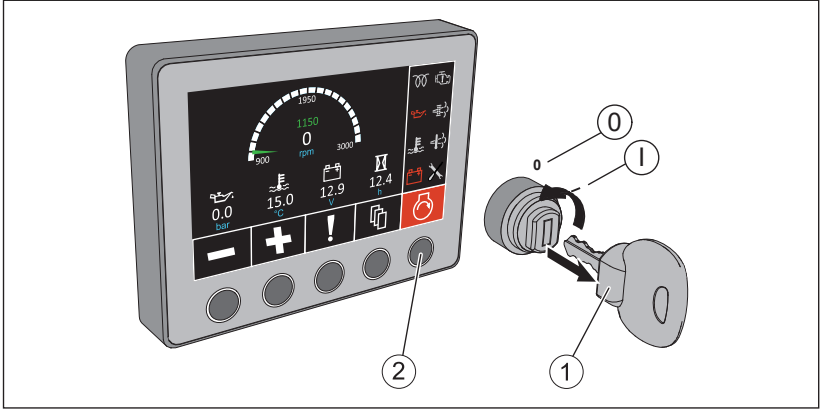
- When the machine is switched off, always turn the starting key to position "0" or else the battery may become fully discharged.

NOTICE




See also instructions in the documentation for the complete machine.

Overview – Hatz Smart Panel



1	Starting key
2	Button for START – STOP Only in model "Engine start/engine stop via CAN bus" (see also <i>Explanation of symbols</i> section 5.3.1 <i>Main menu</i> , page 45)
Ignition lock	
0	Off
I	Operation

NOTICE

 After the engine is switched off, the engine control unit requires voltage for a short period to close internal processes. When using a battery main switch, wait at least 30 seconds after switching the engine off before using the battery main switch. Otherwise, the engine control unit will output an error message the next time it starts.

Switching off the engine with the starting key

Step	Activity
1	Turn the starting key (1) to position "0". The engine switches off. The display switches off after approx. 20 seconds. <i>Note:</i> The engine continues running for several seconds after it is switched off. Before performing any further activities, wait until all moving components have come to a complete standstill.
2	Remove the starting key.




Switching off the engine with the Hatz Smart Panel

Only in model "Engine start/engine stop via CAN bus"

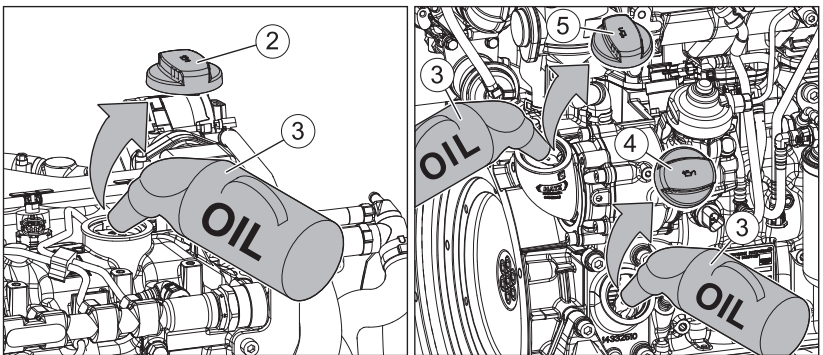
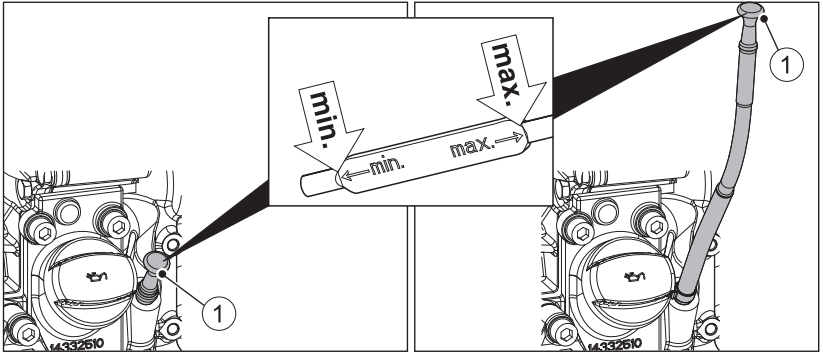
Step	Activity
1	<p>Press key (2).</p> <p>The engine switches off and is then in standby or automatic mode. The display remains active. The engine control unit is not switched off until the starting key (1) is in position "0" (see also the documentation on the entire machine).</p> <p>Alternatively, the engine can also be switched off while running by turning the starting key (1) directly to position "0".</p> <p><i>Note:</i> The engine continues running for several seconds after it is switched off. Before performing any further activities, wait until all moving components have come to a complete standstill.</p>
2	Remove the starting key.

7.5 Check the oil level

Safety notes

 CAUTION	
 	<p>Danger of burns.</p> <p>There is a danger of burns when working on a hot engine.</p> <ul style="list-style-type: none"> Wear safety gloves.
CAUTION	
	<p>Danger of later engine damage.</p> <ul style="list-style-type: none"> Operating the engine with an oil level below the min. mark or above the max. mark can lead to engine damage. When checking the oil level, the engine must be horizontal and have been switched off for a few minutes.

Overview



1	Dipstick (depending on the model)
2	Oil filler plug, top (option)
3	Oil refilling container
4	Oil filler plug, bottom
5	Oil filler plug, middle (option)

Procedure — Checking oil level/adding oil








Step	Activity
1	Switch off the engine and wait several minutes for the engine oil to collect in the crankcase. The engine must be level.
2	Remove contamination on the engine in area of the dipstick (1) and the oil filler plug.
3	Pull out the dipstick and wipe it off with a clean towel.
4	Reinsert the dipstick.
5	Pull out the dipstick and check the oil level.

Step	Activity
6	If the oil level is close to the min. mark, add engine oil to the max. mark. For the specification and viscosity, see chapter 4.3 <i>Engine oil</i> , page 26.
7	Reinsert the dipstick.

7.6 Refueling

This diesel engine is intended for installation in a machine or for assembly with other machines to form a machine and does not have its own fuel tank. Follow the instructions from the manufacturer and comply with the following safety information.

Safety notes

 DANGER	
 	<p>Fire hazard from fuel.</p> <p>Leaked or spilled fuel can ignite on hot engine parts and cause serious burn injuries.</p> <ul style="list-style-type: none"> ▪ Only refuel when the engine is switched off and has cooled down. ▪ Never refuel in the vicinity of open flames or sparks that can cause ignition. ▪ Do not smoke. ▪ Do not spill fuel.
 CAUTION	
	<p>Danger of environmental damage from spilled fuel.</p> <p>Do not overfill the fuel tank and do not spill fuel.</p> <ul style="list-style-type: none"> ▪ Collect any leaking fuel and dispose of it according to local environmental regulations.
 CAUTION	
 	<p>Danger of injury.</p> <p>Repeated contact with diesel fuel can cause chapped and cracked skin.</p> <ul style="list-style-type: none"> ▪ Wear safety gloves. ▪ If there is contact with the skin, thoroughly wash the affected areas of the skin with soap and water.

CAUTION**Engine damage from using low quality fuel.**

The use of fuel that does not meet the specifications can lead to engine damage.

- Only use the fuel specified in chapter 4.5 *Fuel, page 32*.
- The use of fuels that do not meet specifications require approval by Motorenfabrik HATZ (main plant).

NOTICE

Never run the tank empty if possible, as otherwise air can enter the fuel system. This can lead to damage to the injection system.

If the tank runs dry nevertheless, the fuel system must be drained prior to the next start (see chapter 6.6 *Venting the fuel system, page 60*).

NOTICE

For engines that are used for continuous operation or that are equipped with an automatic start/stop function, the engine must be switched off when refueling at the latest. At that time, the engine control unit must be switched off for at least 30 seconds (ignition off, main switch of the machine off or the battery main switch off). The reason for this is that, when the engine control unit is restarted, the cabling from the engine control unit to the water in fuel sensor is checked for electrical continuity. If the cabling is interrupted or the plug on the water in fuel sensor is detached, the engine control unit outputs an error message. The cable is not checked during operation. Thus, if a fault occurs on the cable during operation or the plug is detached from the water in fuel sensor, the water in fuel sensor will not be functional. The engine control unit will only detect the fault when it is restarted.

7.7 Regenerating the diesel particulate filter

This section contains the following subsections:

- **Automatic regeneration**
- **Starting manual regeneration**
- **Blocking regeneration**

Introduction

The **TICD** engine model is equipped with a diesel particulate filter (DPF).

The diesel particulate filter filters soot particles out of the exhaust gas. During regular regeneration the accumulated soot particles are burnt off at high temperatures.

The following modes are made available by the engine control unit:

- **Automatic regeneration**, which starts automatically and runs through its routine without interruption. This mode is applied if the corresponding conditions are fulfilled (see *Automatic regeneration* section).
- **Manual regeneration**, which is started by the operator. During manual regeneration, the machine cannot be used.

NOTICE



If the current situation prohibits regeneration, regeneration can be blocked (see section *Blocking regeneration*). However, the block should be deactivated as soon as possible to prevent damage to the diesel particulate filter.

Safety notes



DANGER



Danger of fire from hot exhaust gas system.

If inflammable materials come into contact with the exhaust gas flow or the hot exhaust gas system, these materials can ignite.

- Keep inflammable materials away from the exhaust gas system.
- Do not operate the engine (exhaust flow or hot exhaust gas system) in the direct vicinity of combustible materials.



WARNING



Danger of injury from hot engine exhaust gases.

During the regeneration of the diesel particulate filter, the exhaust gas flow and the exhaust gas system reach a temperature of approx. 650 °C, which can lead to serious burn injuries.

- Ensure that nobody is endangered by the hot exhaust gases or the hot exhaust gas system.

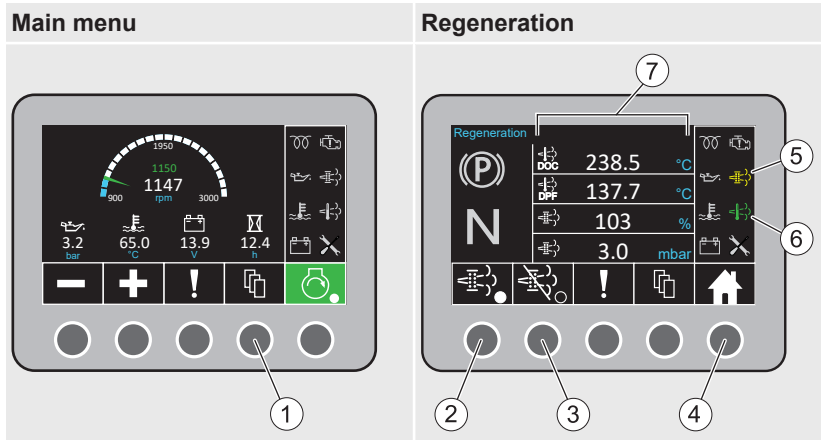
CAUTION

Danger of damaging the diesel particulate filter.

If the regeneration of the diesel particulate filter is blocked over a longer period, a large amount of particles collects in the filter. This can mean that neither automatic nor manual regeneration can be started. In these cases, a service regeneration is required by HATZ Service. In addition, there is a danger that the diesel particulate filter will be damaged or destroyed.







- Only block regeneration when needed, and unblock it again as soon as possible.

Overview



1	Menu selection key
2	Start/stop manual regeneration
3	Activate/deactivate regeneration disable
4	Home (back to main menu)
5	<p>Symbol "Regeneration of diesel particulate filter required"</p> <ul style="list-style-type: none"> ▪ Yellow Automatic or manual regeneration required. ▪ Orange Start automatic or manual regeneration immediately. The soot concentration in the particle filter has already reached an increased value.
6	<p>Symbol "Regeneration of the diesel particulate filter has started"</p> <ul style="list-style-type: none"> ▪ Green Regeneration of the diesel particulate filter has started. ▪ Red Warning of very hot engine exhaust gases. This indicator warns against injuries and the danger of fire due to very high temperatures (approx. 650 °C) during regeneration.
7	<p>Indicator for:</p> <ul style="list-style-type: none"> ▪ Temperature in the diesel oxidation catalyst (DOC) ▪ Temperature in the diesel particulate filter (DPF) ▪ Load status of the diesel particulate filter ▪ Differential pressure between DOC and DPF

Explanation of symbols

Symbol	Meaning
	Neutral position Lights up if the neutral position on the device is left during manual regeneration. Manual regeneration is stopped.
	Parking brake Lights up if the parking brake is released during manual regeneration. Manual regeneration is stopped.
	Manual regeneration OFF
	Manual regeneration ON The solid white circle shows that manual regeneration was started.
	Regeneration disable OFF
	Regeneration disable ON The solid white circle indicates that the regeneration disable was activated.

Automatic regeneration

When indicator (5) **lights up**, this indicates that automatic regeneration of the diesel particulate filter is due. If indicator (6) lights up in addition, automatic regeneration has started. Automatic regeneration only starts under the following conditions:

- The regeneration disable is switched off (see section *Disabling regeneration*).
- The coolant temperature is over 10 °C
- Moderate to high engine utilization

When the above conditions are no longer fulfilled, regeneration is stopped. When the above conditions are fulfilled again, regeneration is resumed.

Regeneration is finished when indicators (5) and (6) have gone out.

NOTICE

If automatic regeneration is interrupted several times or does not start within 30 minutes or if the indicator (6) does not light up, it is recommended that you start manual regeneration in order to prevent damage to the particulate filter due to impermissibly high soot concentration.

If the indicator (5) lights up **orange**, this indicates that the soot concentration in the particulate filter is already at a raised value. Regeneration should be started immediately. This can be done automatically or manually.

Starting manual regeneration

Step	Activity
1	Secure the machine against rolling away or slipping.
2	Depending on the machine, engage the parking brake (if present) and set the transmission or the machine to neutral or activate the safety switch. If one of the above criteria is unfulfilled, the regeneration cannot be started. See also instructions in the documentation for the complete machine.
3	Press the button for the menu selection (1) 2x. The display changes to the Regeneration menu.
4	The regeneration disable (3) must be switched off (see section <i>Explanation of symbols</i>).
5	Let the engine run and adjust it to a low engine speed.
6	Starting manual regeneration <ul style="list-style-type: none"> ▪ Press key (2). The indicator above it changes to the "Manual regeneration ON" symbol (see section <i>Explanation of symbols</i>). Indicators (5 and 6) light up; the regeneration process is started and takes approx. 15 to 30 minutes. <p><i>Note:</i> During manual regeneration</p> <ul style="list-style-type: none"> ▪ The engine speed changes. ▪ The engine noise may change. ▪ Higher engine vibrations may occur than during normal operation.
7	After regeneration is finished (indicators 5 and 6 go out), the machine can be used again.

NOTICE

To ensure uninterrupted manual regeneration, note the following:

- Do not change the engine speed.
- Leave the device in the idle setting.
- Do not disengage the parking brake (if available).
- Do not use the device during manual regeneration.

Failure to observe these steps will lead to the premature cancellation of regeneration.

NOTICE

Only start manual regeneration when the indicator (5) is lit. Starting regeneration without being prompted to do so by the indicator (5) results in premature wear of the diesel particulate filter.



Disabling regeneration


Step	Activity
1	<p>Press button (3) while the engine is running. The indicator above it changes to the "Regeneration disable ON" symbol, see section "Explanation of symbols", and indicator (5) has a line through it. Regeneration is disabled. In this case, automatic and manual regeneration will not be able to start and an active regeneration is stopped. Pressing the button again enables regeneration again and the indicator above it changes to the "Regeneration disable OFF" symbol.</p> <p><i>Note:</i> Switching off the engine also deactivates an activated regeneration block.</p>

8 Maintenance

8.1 General maintenance instructions

Safety notes

 WARNING	
	<p>Danger of injury from failure to follow the Operating Instructions and from performing unauthorized tasks on the machine.</p> <ul style="list-style-type: none"> ▪ Follow all instructions. ▪ Do not perform activities for which no qualification is available. Contact properly trained personnel if necessary.

NOTICE	
	<p>Comply with the safety chapter!</p> <p>Follow the basic safety instructions in chapter 3 <i>Safety</i>, page 7.</p>

- Maintenance tasks may only be performed by trained personnel.
- Accident prevention measures must be in accordance with the local accident prevention regulations.
- Perform setting and maintenance work at the specified intervals.
- Replace defective machine parts as soon as possible.
- Always wear personal protection equipment.
- Only use fully functional tools.
- Installation of unsuitable spare parts can lead to problems. We cannot accept liability for direct damage or secondary damage that results from this. We therefore recommend the use of **Hatz original spare parts**.
- Closely adhere to the maintenance conditions prescribed in this manual.
- Only make changes to the machine in agreement with the manufacturer.
- Only perform maintenance work when the engine is switched off.
- Protect the starting key from unauthorized access.
- Disconnect the negative battery terminal before carrying out maintenance work.
- Adhere to legal regulations when handling and disposing of used oil, filters, coolants, and cleaning agents.
- After completing maintenance work, check that all tools, screws, aids, and other objects are removed from the machine, and that all safety equipment has been replaced.

- Before starting, ensure that no persons are located in the danger zone of the engine or machine.



Performance of maintenance work

The entire machine is designed to be maintenance friendly. Parts that require maintenance are easily accessible.


- Perform maintenance work faithfully at the specified intervals to prevent premature wear of the machine.
- Follow the notice and warning labels on the machine.
- Always retighten screw connections loosened during maintenance work.
- After the necessary maintenance and repair work is completed, perform a function test (test run).
- For maintenance work that is not listed and described in the maintenance documentation, please contact your nearest **HATZ service station**.

8.2 Maintenance work


Safety note

 CAUTION	
	<p>Danger of injury from ignoring the maintenance instructions.</p> <ul style="list-style-type: none"> ▪ Only perform maintenance work when the engine is switched off. ▪ Protect the starting key from unauthorized access. ▪ Disconnect the negative battery terminal. ▪ When the maintenance work has been completed, ensure that all tools are removed from the machine.

8.2.1 Maintenance plan

NOTICE	
	<p>The maintenance intervals listed below apply to standard applications. If the operating conditions differ significantly from the usual use cases, it is possible that Hatz and the manufacturer of the complete machine reached a special agreement stipulating shorter or longer maintenance intervals. Corresponding information regarding different maintenance intervals can be found in the documentation of the complete machine.</p>

Daily checks

Symbol	Interval	Activity/check	Section
	Every 8–15 operating hours or every day before starting	Check the oil level	<i>7.5 Check the oil level, page 69</i>
		Check the intake area of the combustion air	<i>8.2.3 Check the intake area of the combustion air, page 86</i>
		Check the cooler fins for contamination	<i>8.2.4 Check the cooler fins for contamination, page 88</i>
		Check the cooling system	<i>8.2.5 Check the cooling system, page 89</i>

Initial service of new or rebuilt engines

Symbol	Service interval	Service step/check	Section
	After the first 50 operating hours we recommend:	Change the engine oil and oil filter ²⁾	<i>8.2.6 Changing the engine oil and oil filter, page 92</i>
		Check the screw connections	<i>8.2.11 Check the screw connections, page 111</i>

Routine service

Symbol	Service interval	Service step/check	Section
500h	Every 500 operating hours or every 12 months	Diagnosis of engine management ^{1) 2)} (to be performed by trained technicians)	
		Update of the engine control unit ^{2) 3)} (to be performed by trained personnel)	
		Clean the engine ²⁾	<i>8.2.7 Clean the radiator fins, page 98</i>
		Check the anti-freeze concentration of the coolant ²⁾	<i>8.2.5 Check the cooling system, page 89</i>
		Change the engine oil and oil filter ²⁾	<i>8.2.6 Changing the engine oil and oil filter, page 92</i>
		Check the poly v belt ²⁾	<i>8.2.8 Checking the poly v belt, page 101</i>
		Change the oil separator of the crankcase ventilation ²⁾	<i>8.2.10 Change the oil separator of the crankcase ventilation, page 110</i>
		Check the screw connections ²⁾	<i>8.2.11 Check the screw connections, page 111</i>
		Change the fuel prefilter ²⁾	<i>8.2.13 Changing the fuel prefilter, page 113</i>
		Change the main fuel filter ²⁾	<i>8.2.14 Changing the main fuel filter, page 115</i>
		Drain the charge air cooler ^{2) 5)}	<i>8.2.17 Draining the charge air cooler, page 123</i>
	Every 500 operating hours or when indicated, at least every 12 months	Change the air filter cartridge (primary filter) ⁴⁾	<i>8.2.15 Servicing the air filter (optional), page 118</i>

Symbol	Service interval	Service step/check	Section
	When indicated, at least every 12 months	Drain the water separator ²⁾	8.2.12 <i>Drain the water separator, page 111</i>
	Every 4 years	Change the coolant	8.2.16 <i>Change the coolant, page 120</i>
	If necessary, but every 3,000 operating hours at the latest	Replace the poly v belts	8.2.9 <i>Replacing the poly v belts, page 105</i>
	Every 4,000 operating hours	Clean the main radiator of the exhaust gas recirculation (EGR) ⁶⁾ (to be performed by trained technicians)	

¹⁾ The engine control module continuously evaluates the engine-relevant data during operation. If an engine malfunction or deviations from the setpoints occur, these data are written to the error memory. Stored data can be read out and evaluated for fault diagnostics by a Hatz service partner using the Hatz Diagnostic Software HDS². In this way, faults can be detected and eliminated early on or preventative maintenance can be performed.

²⁾ Service according to the service interval or after 12 months, whichever comes first.

³⁾ The engine control unit can only be updated using the Hatz diagnostic software HDS². The update installs extensions and improvements of the control software.



⁴⁾ The secondary filter must be replaced after every fifth replacement of the primary filter, though no later than every two years.

⁵⁾ Engine specifications TI, TIC and TICD.

⁶⁾ Engine specification TIC and TICD.

8.2.2 Additional work on the Silent Pack

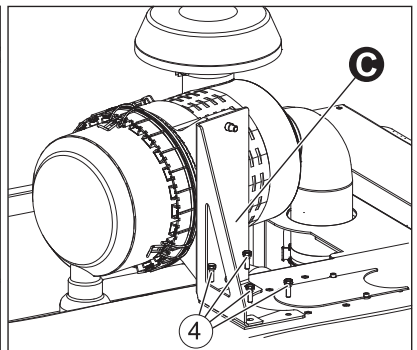
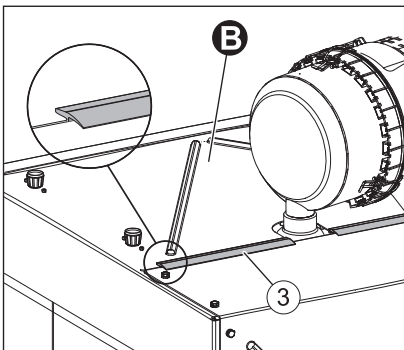
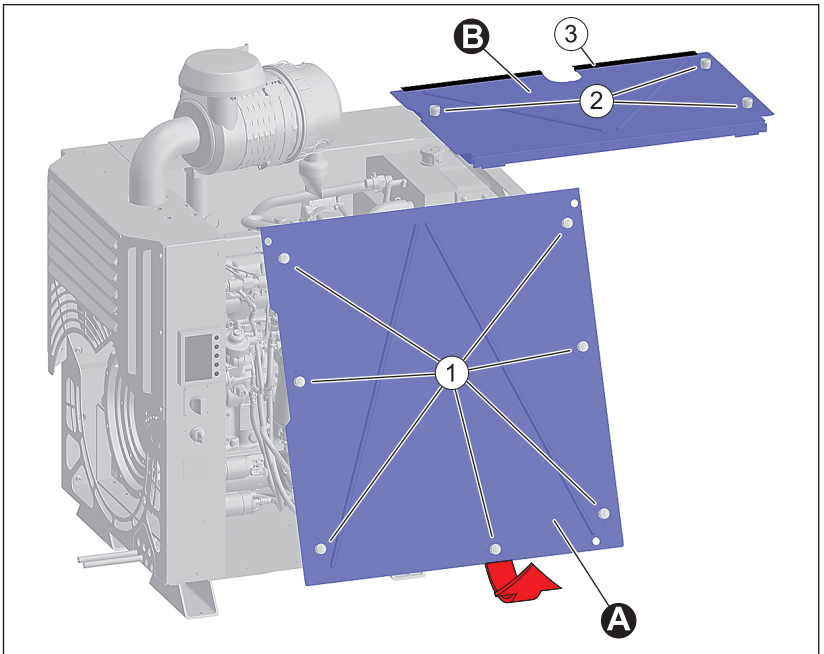
Safety notes

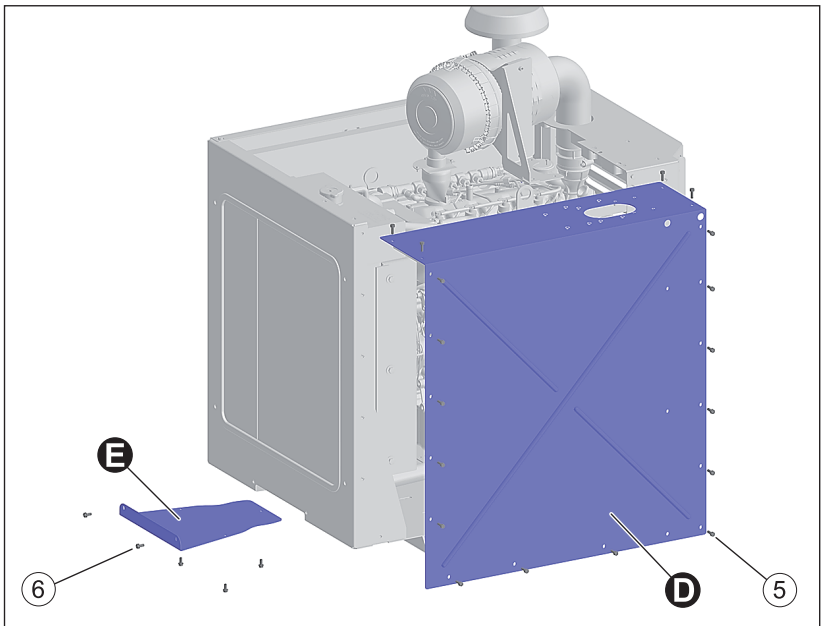
 WARNING	
	<p>Danger of injury from rotating parts.</p> <p>Touching the fans or poly v belts can lead to serious injury when the engine is running.</p> <ul style="list-style-type: none"> ▪ Only operate the engine when all covers are installed.

**CAUTION****Danger of burns.**

There is a danger of burns when working on a hot engine.

- Let the engine cool.
- Wear safety gloves.

**Overview**



A	Control side maintenance cover
B	Top maintenance cover
C	Air filter bracket
D	Side cover on exhaust gas side
E	Access cover to the drain plug on the radiator
1	Clamp-type fasteners for control side maintenance cover
2	Clamp-type fasteners for top maintenance cover
3	Sealing lip
4	Fixing screws for bracket for the air filter (4 pieces)
5	Fixing screws for side cover exhaust side (18)
6	Fixing screws for access lid (5 pieces)

Access to the service points

With the Silent Pack, the engine is surrounded by a noise and weather protection capsule. In order to access the respective service points, the components listed in the following must be disassembled beforehand:

Service step	Component disassembly
Check the oil level	A
Check the intake area of the combustion air	A, B
Check the cooling system	A, B, C, D
Change the engine oil and oil filter	A
Changing the fuel prefilter	A
Changing the main fuel filter	A
Check or replace the poly v belts	A, B, C, D
Change the oil separator of the crankcase ventilation	A, B
Check the screw connections	A, B, C, D
Clean the engine	A, B, C, D
Change the coolant	A, B, E





Procedure

Step	Activity
Remove the control side maintenance cover (A)	
1	Turn clamp-type fasteners (1) to the left up to the stop. Tip maintenance cover on the bottom to the outside and lift away upwards.
Remove the top maintenance cover (B)	
1	Remove the control side maintenance cover (A)
2	Turn clamp-type fasteners (2) to the left up to the stop and then remove the maintenance cover.
Remove the air filter fastening (C)	
1	Unscrew the fixing screws (4).

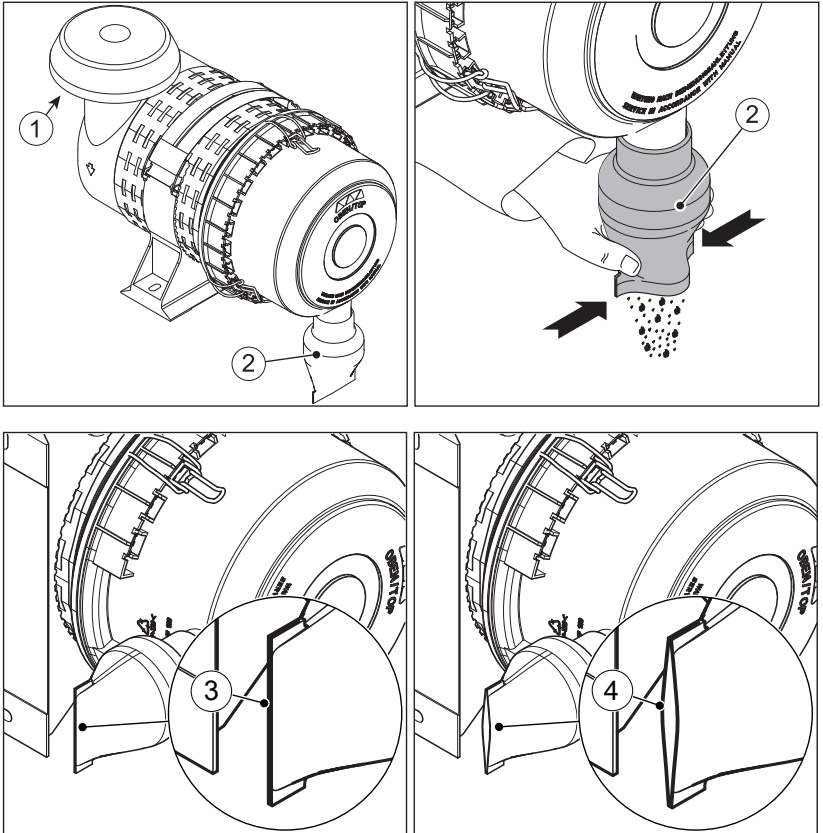
Step	Activity
Remove the side panel on the exhaust gas side (D)	
1	Remove the top maintenance cover (B)
2	Remove the air filter fastening (C).
3	Unscrew the fixing screws (5).
4	Remove the side trim panel (D).
Remove the access cover (E) to the drain plug on the radiator	
1	Unscrew the fixing screws (6).
2	Remove the access cover (E).
Assembly	
1	Mount all parts again after the maintenance steps have been completed. Make sure that the seal lip (3) of the maintenance cover (B) is not trapped!

8.2.3 Check the intake area of the combustion air

Safety notes

 CAUTION	
 	<p>Danger of burns.</p> <p>There is a danger of burns when working on a hot engine.</p> <ul style="list-style-type: none"> ▪ Let the engine cool. ▪ Wear safety gloves.
NOTICE	
	<p>In case of heavy contamination, shorten the maintenance intervals accordingly (see chapter 8.2.1 <i>Maintenance plan</i>, page 79).</p>

Overview (HATZ air filter)



1	Intake opening for combustion air
2	Dust discharge valve
3	Rubber lips OK
4	Rubber lips deformed








Procedure

Step	Activity
1	Check the intake opening (1) for coarse contamination such as leaves, heavy dust deposits etc., and clean if necessary.
2	Check that the dust discharge valve (2) is clear. Remove dust seals by pressing them together.

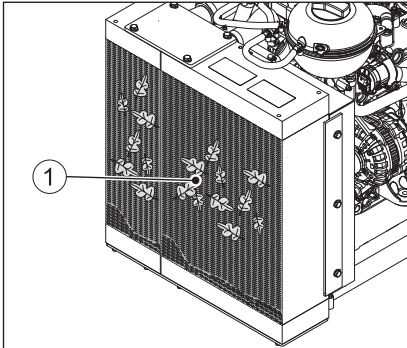
Step	Activity
3	Make sure that the rubber lips (3) run parallel to each other. The gap between the rubber lips must be a maximum of 2 mm. Deformed rubber lips (4) impair the function of the precleaner, thus shortening the maintenance interval of the air filter. Replace the dust discharge valve if required.

8.2.4 Check the cooler fins for contamination

Safety notes

 CAUTION	
 	<p>Danger of burns.</p> <p>There is a danger of burns when working on a hot engine.</p> <ul style="list-style-type: none"> ▪ Let the engine cool. ▪ Wear safety gloves.
 CAUTION	
 	<p>Danger of injury.</p> <p>When working with compressed air, foreign bodies may fly into your eyes.</p> <ul style="list-style-type: none"> ▪ Wear safety goggles. ▪ Never direct the compressed air jet toward people or toward yourself.
CAUTION	
	<p>Danger of engine damage from overheating.</p> <p>The engine temperature indicator lights up as soon as the engine becomes inadmissibly hot.</p> <ul style="list-style-type: none"> ▪ Switch off the engine and eliminate the cause.
NOTICE	
	<p>In case of heavy contamination, shorten the maintenance intervals accordingly (see chapter 8.2.1 <i>Maintenance plan, page 79</i>).</p>

Overview








1	Cooler fins
---	-------------

Procedure

Step	Activity
1	Check the cooler fins (1) for coarse contamination such as leaves, heavy dust deposits etc., and clean if necessary (see chapter 8.2.7 <i>Clean the radiator fins, page 98</i>).

8.2.5 Check the cooling system

Safety notes

 CAUTION	
 	<p>Danger of scalding and risk of environmental damage due to hot coolant.</p> <ul style="list-style-type: none"> ▪ Excessive coolant is blown off from the sealing cap on the expansion tank. After topping up the cooling system never move parts of your body or face close to the sealing cap. ▪ Never top up coolant above the MAX - mark on the expansion tank. ▪ Never stop escaping coolant with your bare hands.
 CAUTION	
	<p>Danger of burns.</p> <p>There is a danger of burns when working on a hot engine.</p> <ul style="list-style-type: none"> ▪ Let the engine cool before maintenance.

**CAUTION****Danger of burns.**

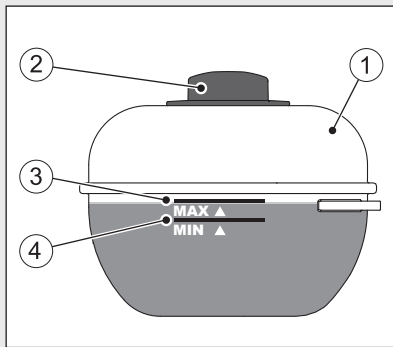
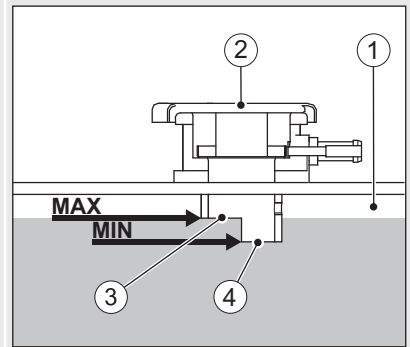
There is a danger of burns when working on a hot cooling system. The cooling system is pressurized when the engine is hot.



- Let the engine cool.
- Wear safety gloves.

CAUTION**Danger of later engine damage.**

- Operating the engine with a coolant level below the **MIN.** mark can lead to engine damage.
- When checking the coolant level, the engine must be horizontal and switched off.

Overview**External expansion tank****Integrated expansion tank**

1	Expansion tank for coolant
2	Sealing cap
3	MAX - Maximum coolant level
4	MIN - Minimum coolant level

Procedure for checking the coolant level

Step	Activity
1	The coolant must be between the MIN and MAX marks on a switched-off and cooled-down engine. For a warm engine, the level can also be slightly above the MAX mark.

Procedure for topping up coolant

Step	Activity
1	Carefully open the sealing cap (2).
2	Top up prepared coolant to the MAX mark on the expansion tank. For the preparation of the coolant, see section 4.4 <i>Coolant</i> , page 28.
3	Tighten the sealing cap (2) all the way by hand.

NOTICE



Since the corrosion and antifreeze concentration decreases over time, carry out a check with a commercially available antifreeze tester as per the maintenance schedule.

If the concentration is too low, either:

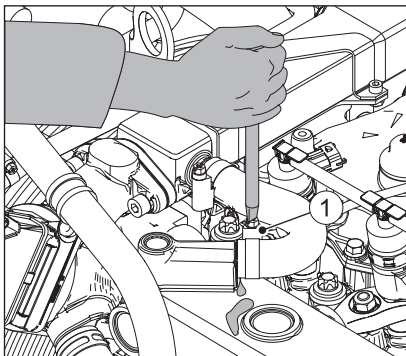
- drain part of the coolant and bring to the required frost safety level by adding cooler protective fluid, or
- replace the entire filling of coolant (see section 8.2.16 *Change the coolant*, page 120).

Checking the cooling system for leaks

Coolants losses are mostly caused by leaks in the cooling system.

On a non-leaking cooling system, losses only occur when the coolant boils and this then causes coolant to be pressed out of the cooling system at the sealing cap on the expansion tank. The cause of this can be contamination in the area of the cooler fins (see chapter 8.2.4 *Check the cooler fins for contamination*, page 88).

Overview



1	Hose clip
---	-----------

Procedure









Step	Activity
1	Check the cooling system for leaks and rectify the cause immediately - in case of doubt consult HATZ Service for advice.
2	When hose connections are loose, retighten the hose clips (1).

8.2.6 Changing the engine oil and oil filter

This chapter contains the following subchapters:

- **Changing the oil filter**
- **Draining the engine oil**
- **Filling the engine oil**
- **Concluding the inspection work**

Safety notes

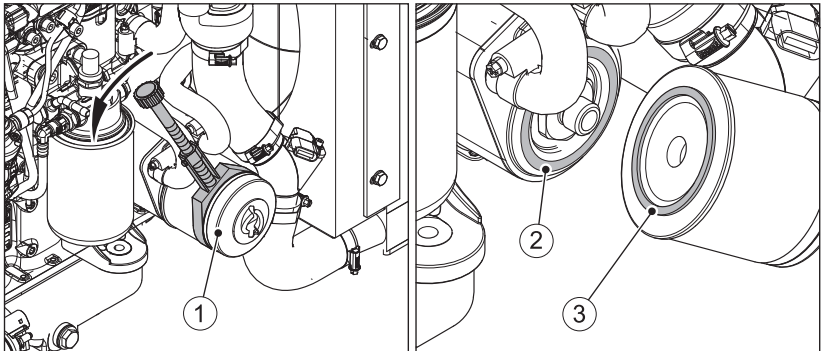
 CAUTION	
 	<p>Danger of burns.</p> <p>When working on the engine, there is a danger of burns from hot oil.</p> <ul style="list-style-type: none"> ▪ Wear personal protective equipment (gloves).
 CAUTION	
	<p>Danger of environmental damage from spilled used oil.</p> <p>Used oil is water-polluting.</p> <ul style="list-style-type: none"> ▪ Do not allow them to enter the ground water, water bodies, or sewage system. ▪ Collect the used oil and dispose of it according to local environmental regulations.
 CAUTION	
 	<p>Danger of injury</p> <p>Prolonged contact with engine oil can lead to irritation of the skin.</p> <ul style="list-style-type: none"> ▪ Wear safety gloves. ▪ If there is contact with the skin, thoroughly wash the affected areas of the skin with soap and water.

CAUTION**Danger of later engine damage.**

- Operating the engine with an oil level below the **min.** mark or above the **max.** mark can lead to engine damage.
- When checking the oil level, the engine must be horizontal and have been switched off for a few minutes.

NOTICE

- The engine must be level.
- The engine must be switched off.
- Only drain engine oil while it is warm.

Changing the oil filter**Overview – Horizontal attachment**

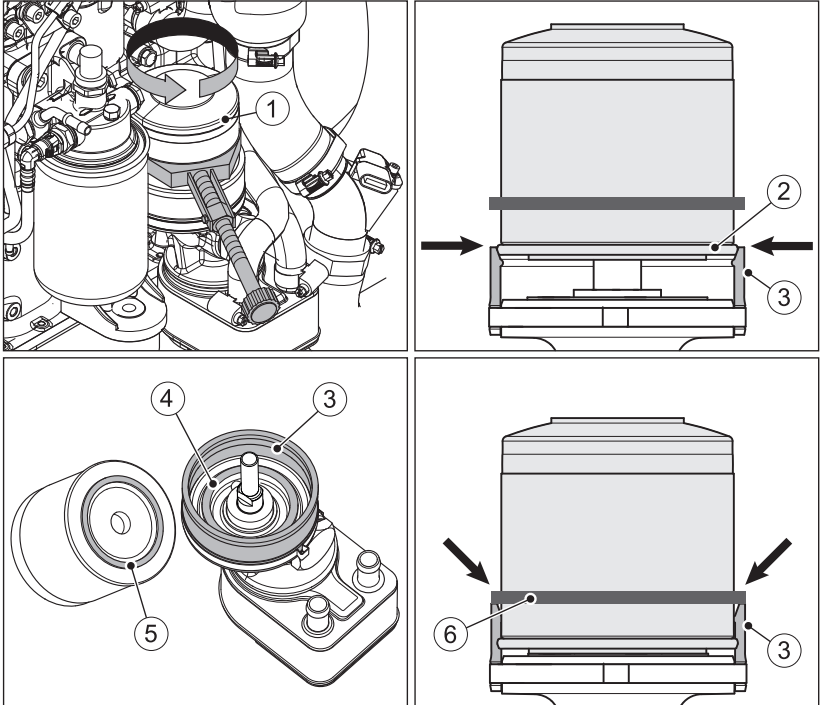
1	Oil filter
2	Sealing surface
3	Gasket

Procedure

Step	Activity
1	Keep a container ready for collecting the used oil.
2	Loosen the oil filter (1) with a strap wrench or similar and unscrew it.
3	Dispose of the old filter in accordance with local environmental regulations.
4	Thoroughly clean the sealing surface (2).

Step	Activity
5	Lightly oil the sealing lip (3) of the new oil filter.
6	Screw in the oil filter and tighten it by hand .

Overview – Vertical attachment



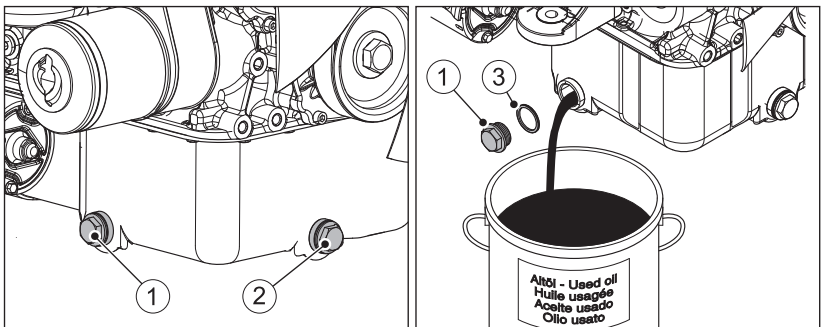
1	Oil filter
2	Collar on the oil filter
3	Shaped element
4	Sealing surface
5	Sealing ring
6	Guard ring

Procedure

Step	Activity
1	Loosen the oil filter (1) with a strap wrench or similar and unscrew it until the collar (2) of the oil filter is at the same level as the shaped element (3). In this position, a valve releases the oil return into the crankcase which allows the oil filter to empty.
2	Fully unscrew the oil filter after a waiting period of approx. 30 seconds.
3	Dispose of the old filter in accordance with local environmental regulations.
4	Thoroughly clean the shaped element (3) and sealing surface (4).
5	Lightly oil the sealing lip (5) of the new oil filter.
6	Screw in the oil filter and tighten it by hand .
7	Make sure that the guard ring (6) seats fully on the shaped element (3). The guard ring prevents dirt from accumulating between the oil filter and shaped element.

Draining the engine oil

Overview – Model with oil drain screw

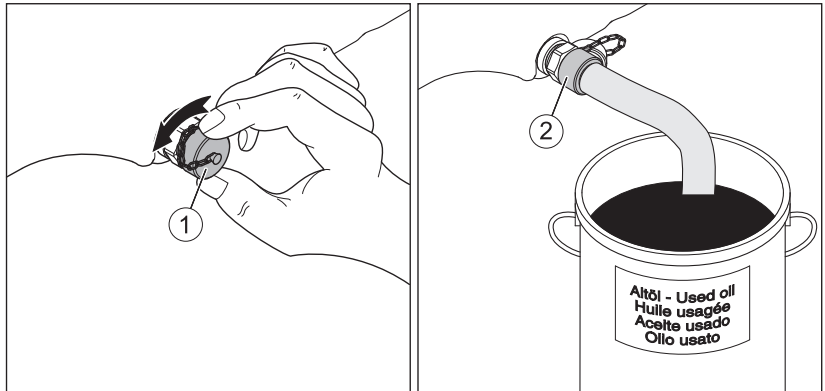


1	Oil drain screw (side)
2	Oil drain screw (front)
3	Gasket

Procedure

Step	Activity
1	Keep a container ready for collecting the used oil. The container must be large enough to hold the entire amount of engine oil. For the engine oil capacity, see chapter 4.1 <i>Engine information and filling quantities</i> , page 21.
2	Depending on oil sump version, the engine oil can be drained at oil drain screw (1) or (2). Unscrew the oil drain screw and drain the used oil entirely.
3	Screw in the cleaned oil drain screw with the new sealing ring and tighten. Tightening torque: 58 Nm.

Overview – Model with oil drain valve



1	Screw plug for oil drain valve
2	Oil drain hose

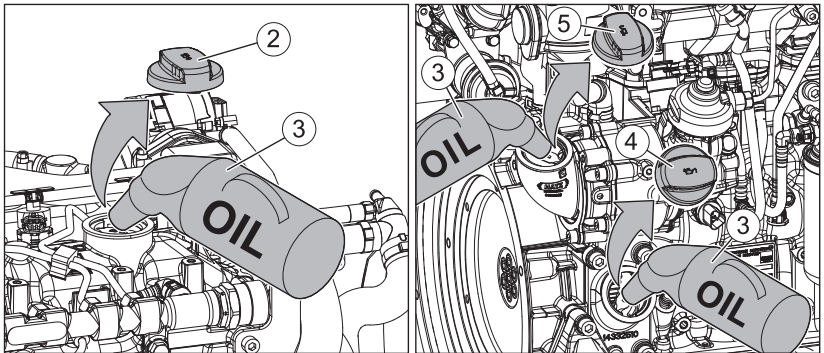
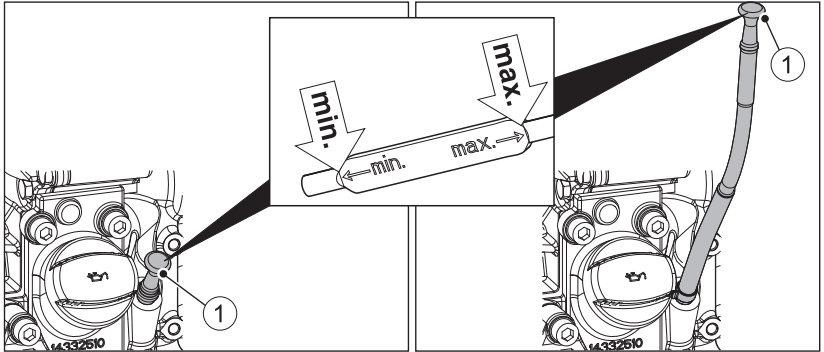
Procedure

Step	Activity
1	Keep a container ready for collecting the used oil. The container must be large enough to hold the entire amount of engine oil. For the engine oil capacity, see chapter 4.1 <i>Engine information and filling quantities</i> , page 21.
2	Remove the screw plug (1).
3	Place the oil drain hose (2) on the drain valve and tighten by hand. <ul style="list-style-type: none"> ▪ During tightening, the drain valve opens allowing the used oil to drain.

Step	Activity
4	Remove the drain hose and reattach the screw plug.

Filling the engine oil

Overview



1	Dipstick (depending on the model)
2	Oil filler plug, top (option)
3	Oil refilling container
4	Oil filler plug, bottom
5	Oil filler plug, middle (option)

Procedure

Step	Activity
1	Pull out the dipstick (1) and clean it.
2	Depending on the model, unscrew oil filler plug (2), (4) or (5).





Step	Activity
3	Fill with engine oil. For the specification and viscosity, see section 4.3 <i>Engine oil</i> , page 26. For the filling quantity, see section 4.1 <i>Engine information and filling quantities</i> , page 21.
4	Reinsert the dipstick.
5	Pull out the dipstick and check the oil level.
6	If required, add engine oil to the max. mark.
7	Reinsert the dipstick.
8	Screw in the oil filler plug.

Concluding the inspection work

Step	Activity
1	Check the oil level after a short test run and correct if necessary.
2	Check the oil filter for tightness and retighten by hand if necessary.

8.2.7 Clean the radiator fins

Safety notes

 DANGER	
	<p>Danger of explosion from flammable cleaning agents.</p> <p>Cleaning with benzene is an explosion hazard. It is highly flammable, can become electrostatically charged, and can generate an explosive gas/air mixture.</p> <ul style="list-style-type: none"> ▪ Use halogen-free, cold cleaners with a high flash point for cleaning. ▪ Comply with manufacturer's instructions.
 CAUTION	
	<p>Danger of environmental pollution due to oil and cleaning agents.</p> <p>Oil and cleaning agents are hazardous to the environment.</p> <ul style="list-style-type: none"> ▪ Do not allow them to enter the ground water, water bodies, or sewage system. ▪ Only clean the machine at the washing area intended for this.

**CAUTION****Danger of burns.**

There is a danger of burns when working on a hot engine.

- Let the engine cool.
- Wear safety gloves.

**CAUTION****Danger of injury.**

When working with compressed air, foreign bodies may fly into your eyes.

- Wear safety goggles.
- Never direct the compressed air jet toward people or toward yourself.

**CAUTION****Danger of damage to the machine from incorrect engine cleaning.**

- Let the engine fully cool down before cleaning.
- Do not use gasoline or acid-based cleaning agents.
- Do not spray electrical and electronic components with a water jet or high pressure jet during cleaning
- Never aim the water jet into the intake opening for combustion air or into the exhaust pipe.

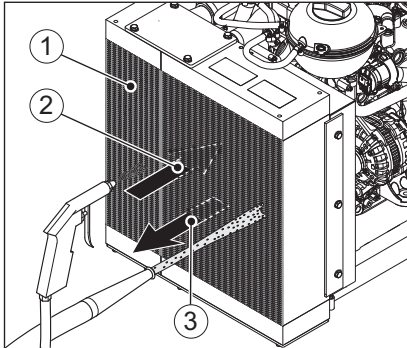
CAUTION**Damage to the cooler fins due to improper cleaning.**

- Never clean the cooler fins with a tool such as a spatula or screwdriver. A reduction in cooler performance through bent cooler fins or cooler leaks may be the result.

NOTICE

In case of heavy contamination, shorten the maintenance intervals accordingly (see chapter 8.2.1 *Maintenance plan*, page 79).

Overview



1	Cooler fins
2	Direction of flow of the cooling air with suction fan
3	Direction of flow of the cooling air with forced-draught fan

Procedure

Step	Activity
Cleaning in case of dry dirt contamination	
1	Clean the radiator fins either with compressed air or flush with a water jet - depending on the amount of accumulated dirt. Work first against the direction of flow of the cooling air and then in the direction of flow.
Cleaning wet or oily dirt contamination	
1	Spray the entire area with a suitable cold cleaner according to the manufacturer's instructions and then clean off with a water jet. Work first against the direction of flow of the cooling air and then in the direction of flow.
2	Identify the cause of the oiling and seal the leak.
After the cleaning	
1	Let the engine run warm until it has completely dried to prevent rust formation.

8.2.8 Checking the poly v belt

This section contains the following subsections:

- **Checking the poly v belt for damage**
- **Checking and setting the belt tension**

Safety notes



CAUTION

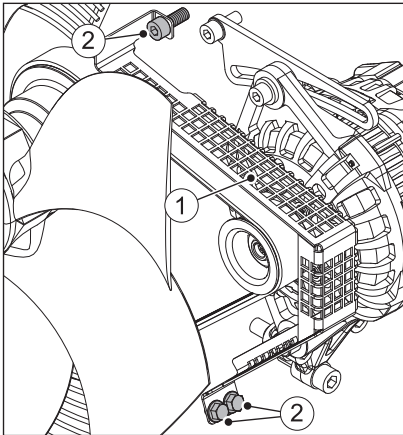


Danger of burns.

There is a danger of burns when working on a hot engine.

- Let the engine cool before maintenance.

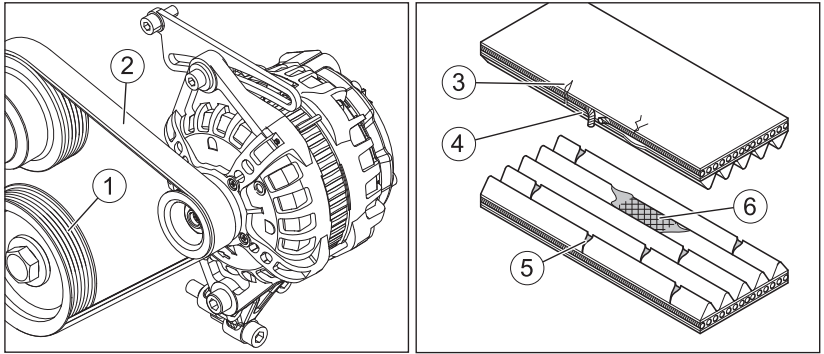
Preparation



Step	Activity
1	Unscrew the optional belt guard (1). Unscrew the fixing screws (2) for this.

Checking the poly v belt for damage

Overview



1	Pulley
2	Poly v belt

Damage to the poly v belt

3	Transverse cracks on the rear
4	Fraying on the edges
5	Transverse cracks in multiple ribs
6	Broken ribs

Procedure

Step	Activity
1	<p>Check the poly v belt (2) for the following damage:</p> <ul style="list-style-type: none"> ▪ Transverse cracks on the rear of the belt. ▪ Fraying on the side. ▪ Accumulation of dirt between the ribs. ▪ Oily dirt contamination. ▪ Transverse cracks in multiple ribs. ▪ Broken ribs. <p>If one or more of these instances of damage are present, replace the poly v belt immediately (see section 8.2.9 <i>Replacing the poly v belts</i>, page 105).</p>

Checking and setting the belt tension

Model without A/C compressor

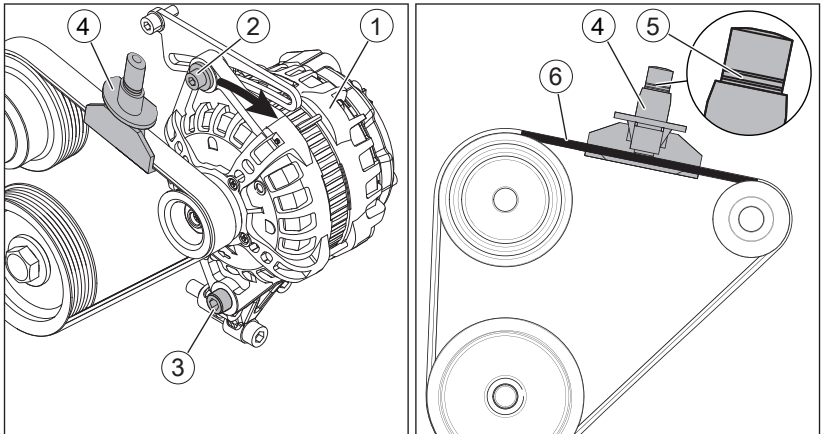
The following description only applies to engines **without** A/C compressor. For the model **with** A/C compressor, a belt tensioner with spring preload always ensures the correct belt tension. The checking and setting of the belt tension is omitted here. For details, see section 8.2.9 *Replacing the poly v belts*, page 105, subsection *Belt run*.

NOTICE



- The cause of running noises of the poly v belt is mostly that the pretension on the belt is too low.
- Too low a belt pretension causes early wear of the poly v belt. Regularly check the belt tension, retension the poly v belt if required.

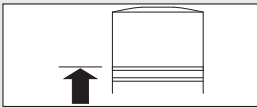
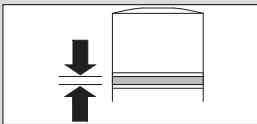
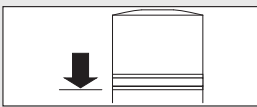
Overview



1	Alternator
2	Upper fixing screw on the generator
3	Lower fixing screw on the generator
4	"Facom DM.16" belt tension meter
5	Display on the belt tension meter
6	Measuring point for belt tension

Setting values for the belt tension

The pretensioning force or the vibration frequency of the belt is decisive for adjustment of the belt tension. For this, we recommend the use of the DM.16 belt tension meter from Facom or a frequency meter. If neither of these meters are available, please contact your nearest **HATZ Service**.

	Belt tension	
	Display (5) on the "Facom" belt tension meter	Vibration frequency (frequency meter)
New belt		210 Hz (+ 10 Hz)
Belt after maintenance interval		150 Hz (+ 10 Hz)
Minimum tension		125 Hz

Procedure

Step	Activity
Checking the belt tension	
1	Check the belt tension at the measuring point (6) in accordance with the manual of the measuring device manufacturer and compare with the <i>setting values for the belt tension</i> . Adjust the belt tension if required.
Setting the belt tension	
1	Undo fixing screws (2) and (3).
2	Turn the generator (1) in the direction of the arrow, hold and - at the same time - tighten the fixing screws of the generator in this position.
3	Check the belt tension again.
4	If necessary, correct the belt tension.

Final steps



Step	Activity
1	Mount the belt guard again.

8.2.9 Replacing the poly v belts

This section contains the following subsections:

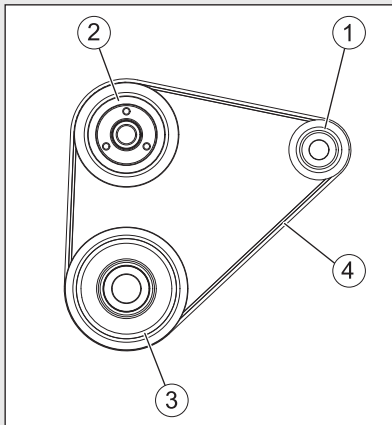
- **Belt run**
- **Preparatory activities**
- **Engine without A/C compressor**
- **Engine with A/C compressor**

Safety note

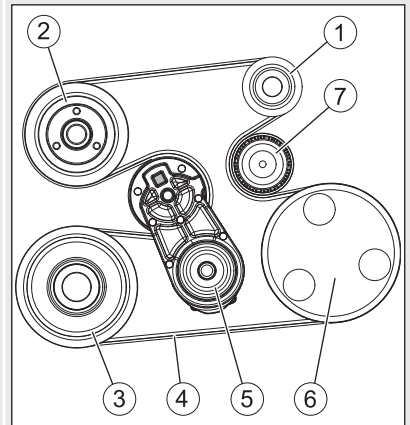
	CAUTION
	<p>Danger of burns.</p> <p>There is a danger of burns when working on a hot engine.</p> <ul style="list-style-type: none"> ▪ Let the engine cool before maintenance.

Belt run

Engine without A/C compressor



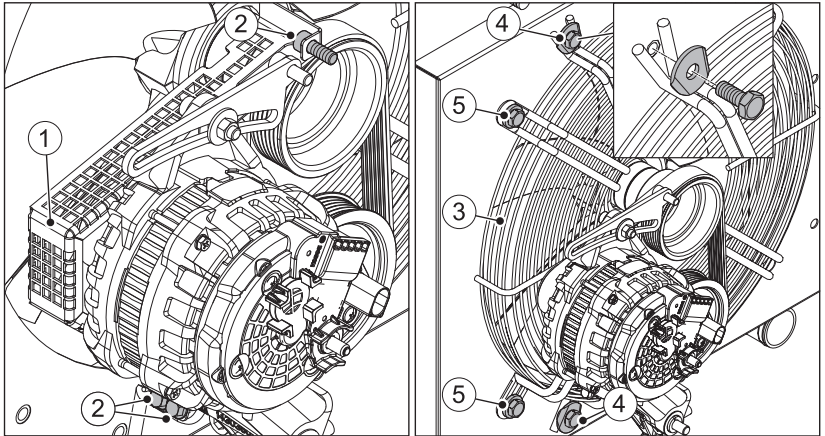
Engine with A/C compressor



1	Alternator
2	Water pump
3	Crankshaft
4	Poly-V belt
5	Belt tensioner
6	A/C compressor
7	Pulley

Preparatory activities

Overview



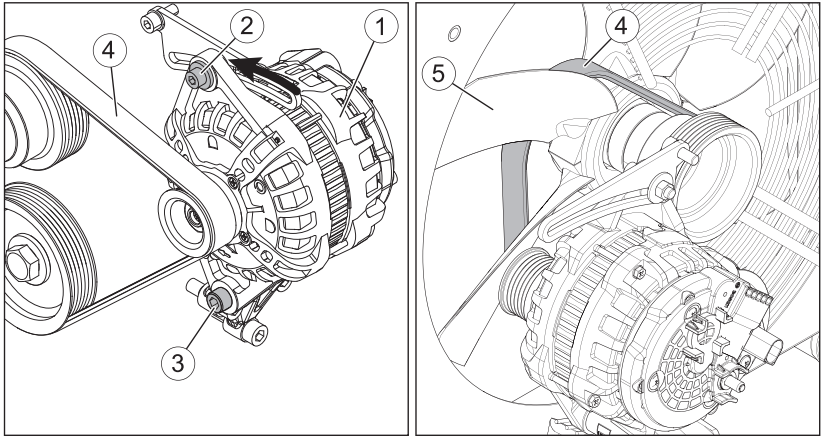
1	Belt guard
2	Fixing screws for the belt guard
3	Protective guard (left half)
4	Connecting screws, protective guard halves (top and bottom)
5	Fixing screws, protective guard (top and bottom)

Procedure

Step	Activity
1	Unscrew the optional belt guard (1). Unscrew the fixing screws (2) for this.
2	Remove the left half of the optional protective guard (3) by unscrewing the screws (4) and (5) (at the top and bottom).

Engine without A/C compressor

Overview



1	Alternator
2	Upper fixing screw on the generator
3	Lower fixing screw on the generator
4	Poly v belt
5	Fan blade

Procedure

Step	Activity
1	Undo fixing screws (2) and (3).
2	Turn the generator (1) in the direction of the arrow to the stop.
3	Remove the loose poly v belt (4) from the pulley.
4	Carefully lift the poly v belt over a fan blade. Turn the fan further in the counterclockwise direction and lift the belt over the remaining fan blades until it is completely free.
5	Check the pulley for perfect condition. If the grooves are broken off or bent, renew the damaged pulley.
6	Feed a new poly v belt over the fan blade in the same way from the radiator side.
7	Lay the poly v belt over the pulley wheels and tighten (see section 8.2.8 <i>Checking the poly v belt</i> , page 103).

Step	Activity
8	Insert the connection and fixing screws for the protective guard. For the tightening torque, see section 4.1 <i>Engine information and filling quantities</i> , page 21.
9	Install the belt guard.

Engine with A/C compressor

Safety note



CAUTION

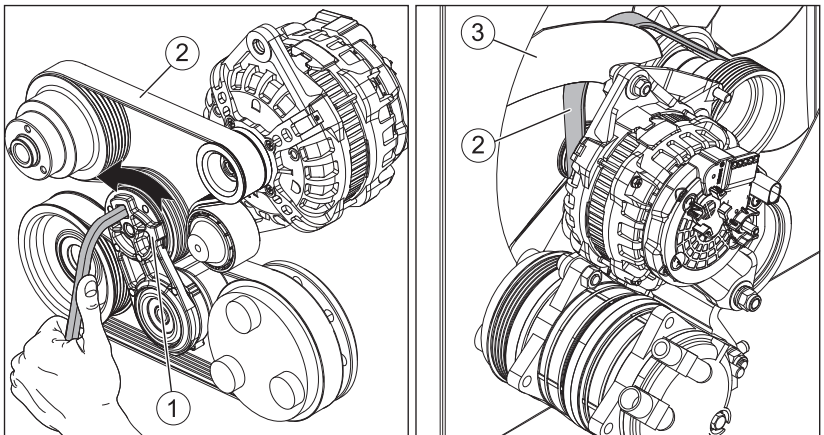


Danger of injury.

The belt tensioner is under spring preload. When tensioning and relieving, there is a danger of injury due to crushing or jamming on preloaded parts.

- Carry out the work on the belt with particular caution.

Overview





1	Belt tensioner
2	Poly v belt
3	Fan blade

Procedure

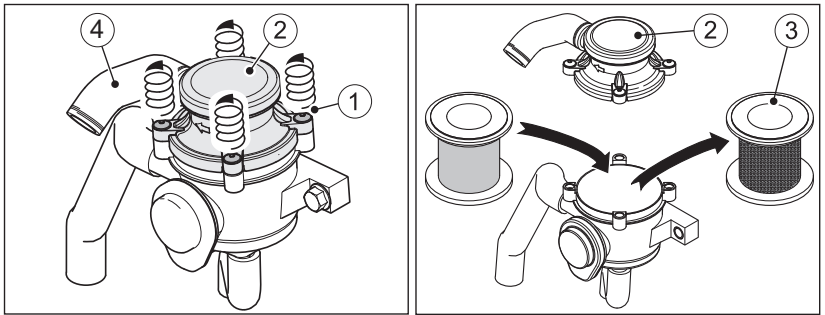
Step	Activity
1	Insert a 3/8" square key into the groove in the belt tensioner (1).
2	Turn the belt tensioner in the direction of the arrow, thus relieving the tension of the poly v belt (2).
3	Remove the loose poly v belt from the pulley.
4	Slowly relieve the belt tensioner.
5	Carefully lift the poly v belt over a fan blade. Turn the fan further in the counterclockwise direction and lift the belt over the remaining fan blades until it is completely free.
6	Check the pulley, belt tensioner and pulley for perfect condition. If the grooves are broken off or bent, renew the damaged pulley.
7	Feed a new poly v belt over the fan blade in the same way from the radiator side.
8	Place the poly v belts on all pulleys, except the belt tensioners. Monitor the belt run.
9	Turn the belt tensioner in the direction of the arrow and lay on the poly v belt.
10	Slowly relieve the belt tensioner.
11	Check that the poly v belt is correctly placed on the pulley.
12	Insert the connection and fixing screws for the protective guard. For the tightening torque, see section <i>4.1 Engine information and filling quantities, page 21</i> .
13	Install the belt guard.

8.2.10 Change the oil separator of the crankcase ventilation

Safety note

 CAUTION	
	<p>Danger of burns.</p> <p>There is a danger of burns when working on a hot engine.</p> <ul style="list-style-type: none"> Let the engine cool before maintenance.

Overview




1	Mounting bolts (captive)
2	Breather cap
3	Oil separator cartridge
4	Vent hose

Procedure

Step	Activity
1	Release the four mounting bolts (1) on the breather cap (2).
2	Carefully lift the breather cap. If necessary, release the vent hose (4).
3	Remove the used oil separator cartridge and dispose of it according to local environmental regulations.
4	Wipe out the breather housing with a clean cleaning cloth. Make sure that dirt is not brought into the breather housing.
5	Insert a new oil separator cartridge.
6	Put on the breather cap and tighten the four mounting bolts (max. 4 Nm). If necessary, reattach the vent hose.

8.2.11 Check the screw connections

Safety note



NOTICE	
	<ul style="list-style-type: none"> ▪ Only retighten loose screw connections. Screw connections can be secured with thread locking adhesive or tightened to a defined torque. Retightening tight screw connections can cause damage. ▪ The adjusting screws on the injection system are secured with locking varnish and are not permitted to be tightened or adjusted. ▪ Do not retighten the screws for attaching the cylinder head.

Procedure

Step	Activity
1	Check the condition of all screw connections and ensure that they are tight (for exceptions, see note).
2	Tighten any lose screw connections.

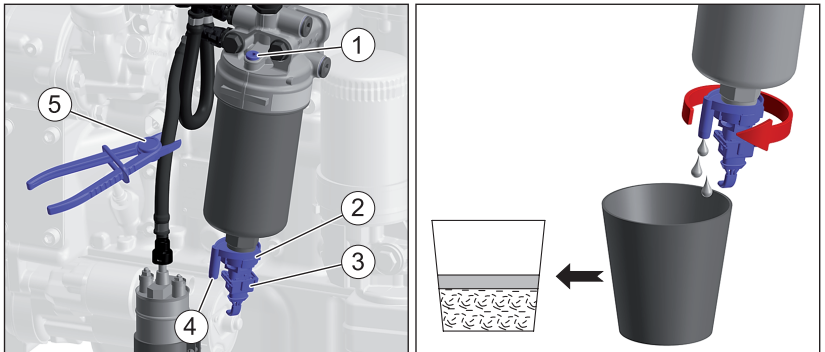
8.2.12 Drain the water separator

Safety note

 CAUTION	
	<p>Danger of environmental damage from spilled fuel.</p> <p>When water is drained from the water separator, a small amount of fuel is drained as well.</p> <ul style="list-style-type: none"> ▪ Collect any escaped water/fuel mixture and dispose of it according to local environmental regulations.

The main fuel filter is equipped with a water separator. An electronic water in fuel sensor signals when the maximum permissible water level is reached in the water separator (see section 9.2 *Diagnostic trouble codes in case of engine malfunctions*, page 130).

Overview













1	Vent screw
2	Drain screw with integrated water in fuel sensor
3	Plug of water in fuel sensor
4	Drain socket for extension hose
5	Hose clip (for a fuel tank positioned low)

Procedure

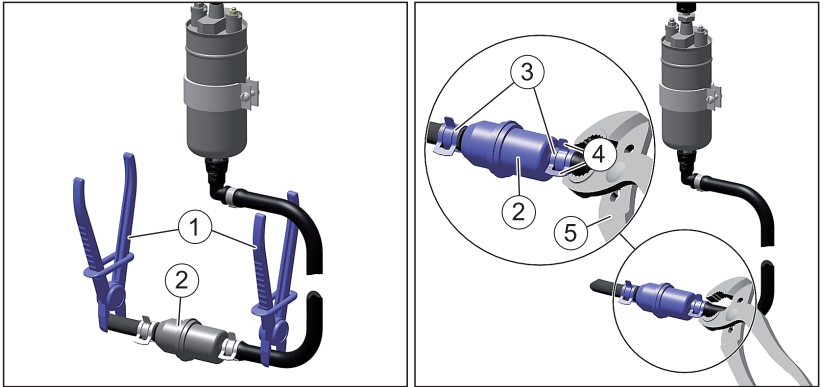
Step	Activity
1	Place a suitable container under the drain socket (4) of the drain screw (2). <i>NOTE:</i> In inaccessible locations, an extension hose can be connected to the drain socket on the drain plug.
2	Open the drain screw (2) by hand and drain the water into the container.
3	If not enough liquid escapes, undo the additional vent screw (1). <i>NOTE:</i> If the fuel tank is lower than the main fuel filter, the fuel supply line must be disconnected with a hose clip (5). Otherwise fuel will run back into the fuel tank after the drain plug has been unscrewed.
4	As soon as fuel escapes, close the drain plug (2) and vent screw (1). <i>NOTE:</i> First water escapes then fuel. This can be seen by a clear separating line.
5	Disconnected fuel supply line is released again. Dispose of the water/fuel mixture in accordance with the local environmental regulations.

8.2.13 Changing the fuel prefilter

Safety notes

 DANGER	
 	<p>Fire hazard from fuel</p> <p>Leaked or spilled fuel can ignite on hot engine parts and cause serious burn injuries.</p> <ul style="list-style-type: none"> ▪ Do not spill fuel. ▪ No open flames when working on the fuel system. ▪ Do not smoke.
 CAUTION	
	<p>Danger of burns.</p> <p>There is a danger of burns when working on a hot engine.</p> <ul style="list-style-type: none"> ▪ Let the engine cool before maintenance.
 CAUTION	
 	<p>Danger of injury.</p> <p>Repeated contact with diesel fuel can cause chapped and cracked skin.</p> <ul style="list-style-type: none"> ▪ Wear safety gloves. ▪ If there is contact with the skin, thoroughly wash the affected areas of the skin with soap and water.
 CAUTION	
	<p>Danger of environmental damage from spilled fuel.</p> <p>When the filter is removed, a small amount of fuel is drained as well.</p> <ul style="list-style-type: none"> ▪ Collect any escaping fuel and dispose of it according to local environmental regulations.
CAUTION	
	<p>Dirt particles can damage the injection system.</p> <ul style="list-style-type: none"> ▪ Maintain clean conditions to ensure dirt does not enter the fuel line.

Overview













1	Hose clip
2	Fuel prefilter
3	Hose clamp
4	Tabs on the hose clamp
5	Pliers

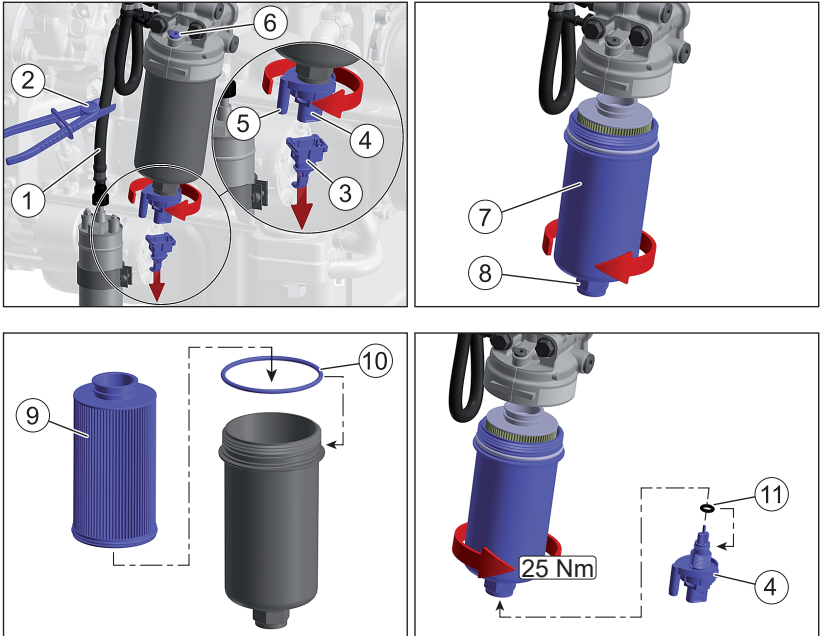
Step	Activity
1	Block the fuel supply line upstream and downstream of the fuel prefilter (2) using hose clips (1).
2	Place a suitable container under the fuel prefilter to collect emerging fuel.
3	Release the hose clamps (3) and slide them to the back. To do so, squeeze the tabs (4) together with suitable pliers (5).
4	Unscrew the fuel prefilter (2) and dispose of it according to local environmental regulations.
5	Insert a new fuel prefilter. Observe the flow-through direction (arrows).
6	Slide the hose clamps to their original position.
7	Start the engine and perform a test run.
8	Check the filter and lines for tightness after a brief trial run.

8.2.14 Changing the main fuel filter

Safety notes

 DANGER	
 	<p>Fire hazard from fuel</p> <p>Leaked or spilled fuel can ignite on hot engine parts and cause serious burn injuries.</p> <ul style="list-style-type: none"> ▪ Do not spill fuel. ▪ No open flames when working on the fuel system. ▪ Do not smoke.
 CAUTION	
	<p>Danger of burns.</p> <p>There is a danger of burns when working on a hot engine.</p> <ul style="list-style-type: none"> ▪ Let the engine cool before maintenance.
 CAUTION	
 	<p>Danger of injury.</p> <p>Repeated contact with diesel fuel can cause chapped and cracked skin.</p> <ul style="list-style-type: none"> ▪ Wear safety gloves. ▪ If there is contact with the skin, thoroughly wash the affected areas of the skin with soap and water.
 CAUTION	
	<p>Danger of environmental damage from spilled fuel.</p> <p>When the filter is removed, a small amount of fuel is drained as well.</p> <ul style="list-style-type: none"> ▪ Collect any escaping fuel and dispose of it according to local environmental regulations.
CAUTION	
	<p>Dirt particles can damage the injection system.</p> <ul style="list-style-type: none"> ▪ Maintain clean conditions to ensure dirt does not enter the fuel line. ▪ Only install fuel filters dry and do not prefill in order to avoid contamination.

Overview



1	Fuel feed line
2	Hose clip
3	Connector to water in fuel sensor
4	Drain screw with integrated water in fuel sensor
5	Drain socket for extension hose
6	vent screw
7	Plastic screw cap
8	Hexagon for fitting a socket or ring wrench
9	filter insert
10	Sealing ring for plastic screw cap
11	Sealing ring to water in fuel sensor







Procedure

Step	Activity
1	Block the fuel feed line (1) using the hose clip (2).
2	Disconnect the connector (3) to the water in fuel sensor.

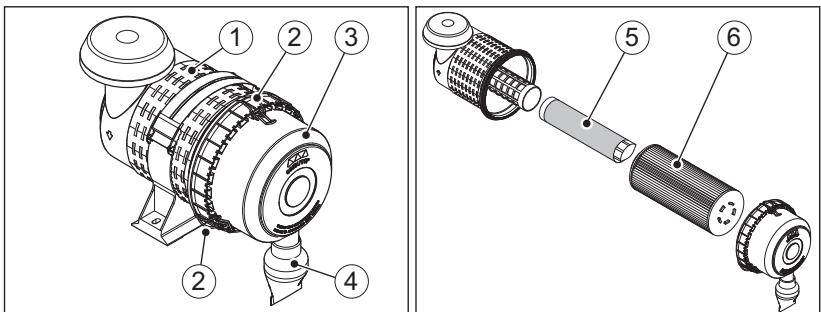
Step	Activity
3	Place a suitable container under the filter (volume min. 1.5 liters) to collect escaping fuel. <i>NOTE:</i> In inaccessible locations, an extension hose can be connected to the drain socket on the drain plug.
4	First loosen the drain screw (4) and then the vent screw (6) and drain the fuel.
5	Then unscrew the drain plug (4) completely and put it aside.
6	Fit socket wrench or ring wrench onto hexagon (8) and unscrew plastic screw cap (7).
7	Dispose of the filter insert (9) and sealing ring (10) in accordance with local environmental regulations.
8	Lightly oil the new sealing ring and install it.
9	Insert the new filter insert into the screw cap.
10	Screw in the screw cap and tighten it to the specified tightening torque.
11	Dispose of the sealing ring (11) in accordance with local environmental regulations.
12	Lightly oil the new sealing ring and install it.
13	Screw in drain plug (4) and hand-tighten.
14	Install the connector to the water in fuel sensor.
15	Release the fuel feed line.
16	Bleed the fuel system (see chapter 6.6 <i>Venting the fuel system, page 60</i>).
17	Start the engine and perform a test run.
18	After the test run, check the main fuel filter for leaks and tighten by hand if necessary.

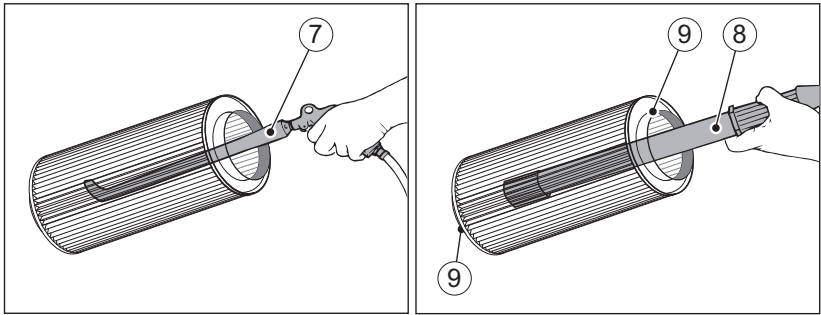
8.2.15 Servicing the air filter (optional)

Safety notes

 CAUTION	
 	<p>Danger of injury.</p> <p>When working with compressed air, foreign bodies may fly into your eyes.</p> <ul style="list-style-type: none"> ▪ Wear safety goggles. ▪ Never direct the compressed air jet toward people or toward yourself.
 CAUTION	
	<p>Danger of injury.</p> <p>When blowing out the filter cartridge, the ambient air becomes contaminated with dust.</p> <ul style="list-style-type: none"> ▪ This dust may contain harmful particles. ▪ Wear a fine dust mask.
NOTICE	
	<ul style="list-style-type: none"> ▪ Change the filter elements when there is oily or damp dirt contamination, cleaning is not possible. ▪ Even minor damage in the areas of the sealing surface, filter paper, or filter cartridge makes reuse impossible. ▪ The filter cartridge may not be washed out or beaten out. ▪ The filter cartridge may be blown out only in exceptional cases. The pressure must not exceed 5 bar.

Overview





1	Air filter housing
2	Retaining clips
3	Air filter cover
4	Dust discharge valve
5	Secondary filter
6	Primary filter
7	Air gun with extension tube (tip bent)
8	Lamp
9	Sealing surfaces

Replacing the primary/secondary filters

Step	Activity
1	Open the retaining clips (2) and remove the air filter cover (3).
2	Pull out the primary filter (6) and either replace (recommended) or clean (see below). The primary filter must be replaced every 12 months at the latest; cleaning is no longer possible after this time.
3	Remove dirt adhering to the inside of the air filter housing (1), air filter cover (3), and dust discharge valve (4).
4	Pull out and check the secondary filter (5), replace if required. The secondary filter can not be cleaned. The secondary filter must be replaced after every fifth replacement of the primary filter, though no later than every two years.
5	Carefully insert new filter elements.
6	Place the air filter cover on the air filter housing and lock all retaining clips, making sure that the dust discharge valve points vertically downwards.

Cleaning the primary filter







Step	Activity
1	Blow out the primary filter (6) with dry compressed air from the inside to the outside until dust no longer emerges. Use an air gun with an extension tube (7) with the end bent by approx. 90°. The end of the extension tube must not touch the filter paper.
2	Check the sealing surfaces (9) of the filter cartridge for damage.
3	Check the filter cartridge for tears or other damage in the filter paper by holding it against the light at a slant or shining light from a lamp (8) through it. In case of doubt, always replace the primary filter. <i>NOTE:</i> The primary filter may only be cleaned once, then it must be replaced.

8.2.16 Change the coolant

This chapter contains the following subchapters:

- **Draining the cooling system**
- **Rinsing the cooling system**
- **Filling the cooling system**

Safety notes

 CAUTION	
 	<p>Danger of scalding and risk of environmental damage due to hot coolant.</p> <ul style="list-style-type: none"> ▪ Excessive coolant is blown off from the sealing cap on the expansion tank. After topping up the cooling system never move parts of your body or face close to the sealing cap. ▪ Never top up coolant above the MAX - mark on the expansion tank. ▪ Never stop escaping coolant with your bare hands.
 CAUTION	
 	<p>Danger of burns.</p> <p>There is a danger of burns when working on a hot cooling system. The cooling system is pressurized when the engine is hot.</p> <ul style="list-style-type: none"> ▪ Let the engine cool. ▪ Wear safety gloves.



CAUTION

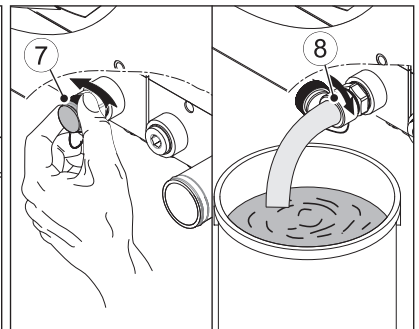
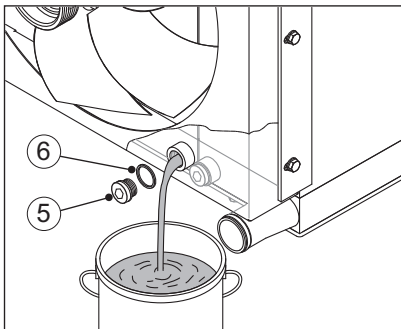
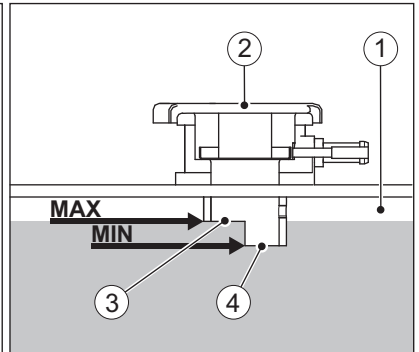
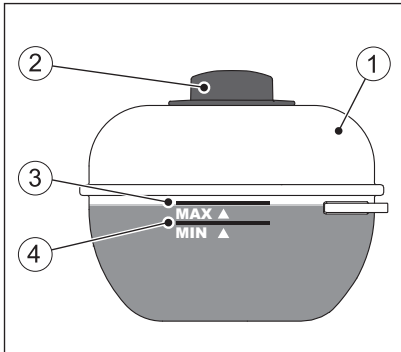


Danger of environmental damage from spilled coolant.

Coolant is water-polluting.

- Do not allow them to enter the ground water, water bodies, or sewage system.
- Collect the coolant and dispose of it according to local environmental regulations.

Overview



1	Expansion tank for coolant
2	Sealing cap
3	MAX - Maximum coolant level
4	MIN - Minimum coolant level
5	Drain screw on engine cooler
6	Seal ring
7	Screw plug for drain valve on engine cooler

8	Drain hose
---	------------

Draining the cooling system

Step	Activity
1	Provide a container to collect the used coolant. The container must be large enough to hold the entire amount of oil. For the amount of coolant, see section 4.1 <i>Engine information and filling quantities</i> , page 21.
2	Open the sealing cap (2) of the expansion tank (1).

Model with drain plug

3	Unscrew the drain plug (5) and drain the coolant into the container.
4	Screw in the drain plug (5) with a new sealing ring (6) and tighten. Tightening torque: 50 Nm.

Model with drain valve

3	Remove the screw plug (7). Then place the drain hose (8) on the drain valve and screw tight by hand. <ul style="list-style-type: none"> ▪ When tightening, the drain valve opens allowing the coolant to drain.
4	Remove the drain hose and reattach the screw plug.

Rinsing the cooling system

The cooling system only needs to be rinsed if contaminants are detected in the coolant.

Contaminants can include:

- Engine oil due to a defective cylinder head gasket (discoloration of the coolant).
- Corrosion due to used or unsuitable coolant (discoloration of the coolant).
- Foreign bodies due to:
 - Insufficient cleaning during repairs to the cooling system
 - Reuse of drained coolant

As contaminants in the coolant could be an indication of a larger problem, we recommend having the rinsing of the cooling system carried out by trained specialist personnel.

Filling the cooling system

See section 6.5 *Filling the cooling system*, page 58



8.2.17 Draining the charge air cooler

Introduction

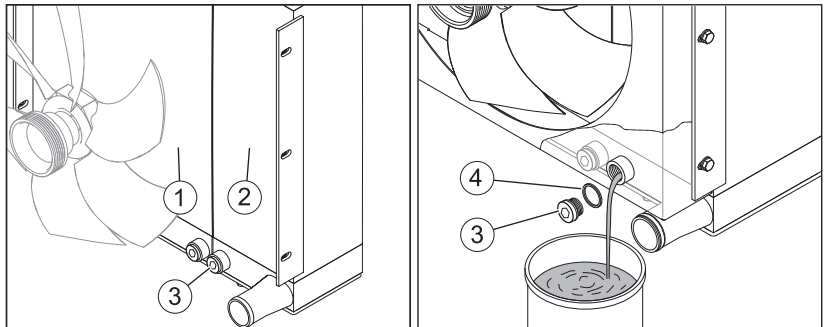
This maintenance work only pertains to engine specifications **TI**, **TIC** and **TICD**.

Over the course of time and depending on the engine utilization, condensate and engine oil collect in the charge air cooler. Drain this mixture consisting of condensate and oil as per the maintenance schedule and dispose of it according to local environmental regulations.

Safety note

 CAUTION	
	<p>Danger of burns.</p> <p>There is a danger of burns when working on a hot engine.</p> <ul style="list-style-type: none"> ▪ Let the engine cool before maintenance.

Overview



1	Engine radiator
2	Charge air cooler
3	Drain screw on charge air cooler
4	Seal ring

Procedure

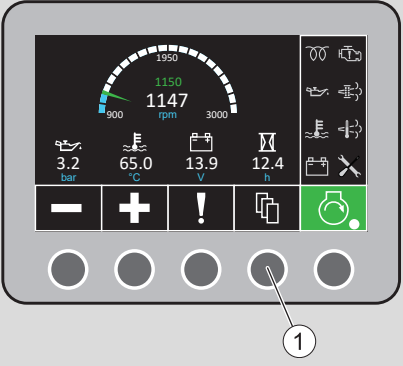
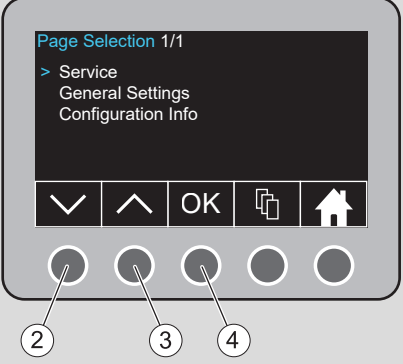
Step	Activity
1	Have a container ready for capturing the liquid.
2	Unscrew the drain plug (3) and let the liquid flow into the container.
3	Screw in the drain plug (3) with a new gasket (4) and tighten. Tightening torque: 50 Nm.

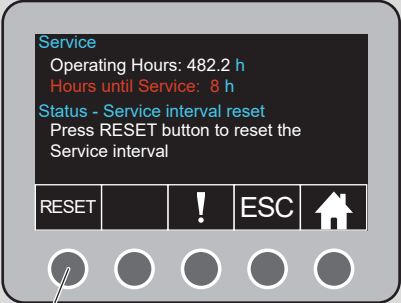
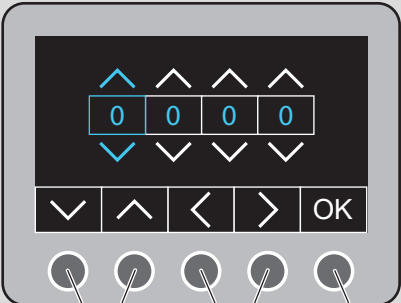
Step	Activity
4	Dispose of the drained mixture consisting of condensate and oil according to local environmental regulations.

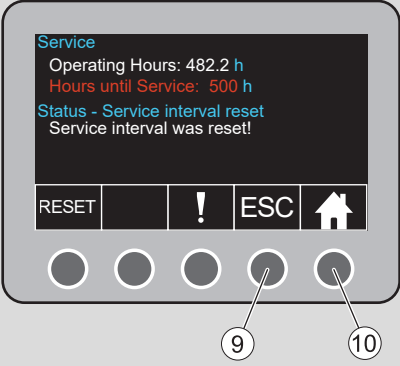
8.2.18 Resetting the service interval indicator

After completion of service work, reset the service interval indicator. The counter alerts you when the next major service is due.

Procedure

Step	Activity	Figure
1	In the main menu , press the button for menu selection (1) repeatedly until the Page Selection menu appears.	<p>Main menu</p> 
2	Using buttons (2 or 3), select the Service menu and confirm with OK (button 4).	<p>Page Selection</p> 

Step	Activity	Figure
3	To reset the service interval indicator, press button (5).	<p>Service</p>  <p>The screen displays the following text: "Service", "Operating Hours: 482.2 h", "Hours until Service: 8 h", "Status - Service interval reset", and "Press RESET button to reset the Service interval". Below the text is a control panel with buttons labeled "RESET", "!", "ESC", and a home icon. Below the control panel are five circular buttons, with the first one on the left circled in red and labeled with the number 5.</p>
4	<p>The display changes to the password entry page. Now enter the 4-digit password. The factory password is 2354. Begin with the entry as follows:</p> <ul style="list-style-type: none"> ▪ Select the desired time with the buttons (6). ▪ Select the number pad with the buttons (7). ▪ Then confirm the password with OK (button 8). <p><i>Note:</i> The password can be changed by a Hatz service partner if desired using the diagnosis software HDS².</p>	<p>Password</p>  <p>The screen displays a password entry interface. At the top, there are four upward-pointing chevrons. Below them is a row of four boxes, each containing the digit "0". Below the boxes are four downward-pointing chevrons. At the bottom of the screen is a control panel with buttons labeled "v", "^", "<", ">", and "OK". Below the control panel are five circular buttons, with the first two circled in red and labeled with the numbers 6 and 7, and the last one circled in red and labeled with the number 8.</p>

Step	Activity	Figure
5	<p>The service interval indicator is reset. The hours counter indicates the number of operating hours remaining until the next major service.</p> <p>Pos. 9 = Return to Page Selection.</p> <p>Pos. 10 = Home (return to main page).</p>	<p>Service</p> 

NOTICE



If a Hatz Smart Panel is not used:
Comply with the instructions in the documentation for the **complete machine**.

9 Faults

9.1 Troubleshooting

General troubleshooting notes

If the cases listed below have been worked through but the fault continues to persist, please contact your nearest **Hatz service station**.

The engine malfunction indicator lights up on the HATZ Smart Panel.

Possible causes	Remedy	Section
Various errors in different assemblies.	Identify and rectify the fault on the basis of the diagnostic trouble code table.	<i>9.2 Diagnostic trouble codes in case of engine malfunctions, page 130</i>

The engine does not start or does not start immediately, but can be turned with the starter.

Possible causes	Remedy	Chapter
Hydraulic load too high (especially with multiple hydraulic pumps).	Reduce the hydraulic load – if possible.	
Insufficient compression.	Contact HATZ Service.	
Cylinder and/or piston ring wear.	Contact HATZ Service.	
Fuel supply is interrupted:		
The tank ran out of fuel during operation.	Add fuel.	<i>7.6 Refueling, page 71</i>
Electrical fuel pump is not working.	Check the cabling.	
Fuel prefilter is clogged.	Change the fuel prefilter.	<i>8.2.13 Changing the fuel prefilter, page 113</i>
Main fuel filter is clogged.	Change the main fuel filter.	<i>8.2.14 Changing the main fuel filter, page 115</i>

At low temperatures (engine does not start)

Possible causes	Remedy	Chapter
Oil is too viscous and causes a too low starter speed.	Change the engine oil and oil filter. Add engine oil with a suitable viscosity class.	8.2.6 <i>Changing the engine oil and oil filter, page 92</i>
Insufficiently charged battery.	Check the battery and contact the service center if necessary.	3.2.4 <i>Electrical equipment, page 18</i>
Machine is not uncoupled.	If possible, separate the engine from the machine by uncoupling it.	

The starter does not switch on and the engine does not turn.

Possible causes	Remedy	Chapter
Irregularities in the electrical equipment:		
Battery and/or other cable connections are incorrectly connected.	Check the electrical equipment and its components or contact Hatz service.	3.2.4 <i>Electrical equipment, page 18</i>
Cable connections are loose and/or oxidized.		
Battery is defective and/or not loaded.		
Defective starter.		
Defective relay, monitoring elements etc.		

Engine switches off spontaneously during operation.

Possible causes	Remedy	Section
The tank ran out of fuel during operation.	Fill with fuel.	7.6 <i>Refueling, page 71</i>
Mechanical defects.	Contact HATZ service.	
Electrical defects.	Check the wiring or contact HATZ service.	
Engine malfunction (engine malfunction indicator lights up)	Identify and rectify the fault on the basis of the diagnostic trouble code table.	9.2 <i>Diagnostic trouble codes in case of engine malfunctions, page 130</i>

The engine loses power and speed.

Possible causes	Remedy	Section
The engine is running in emergency mode due to a malfunction (engine malfunction indicator is lit).	Identify and rectify the fault on the basis of the diagnostic trouble code table.	<i>9.2 Diagnostic trouble codes in case of engine malfunctions, page 130</i>
	If the engine malfunction persists, contact a HATZ service center immediately.	
The tank ran out of fuel during operation.	Add fuel.	<i>7.6 Refueling, page 71</i>

The engine loses power and speed, and black smoke emerges from the exhaust.

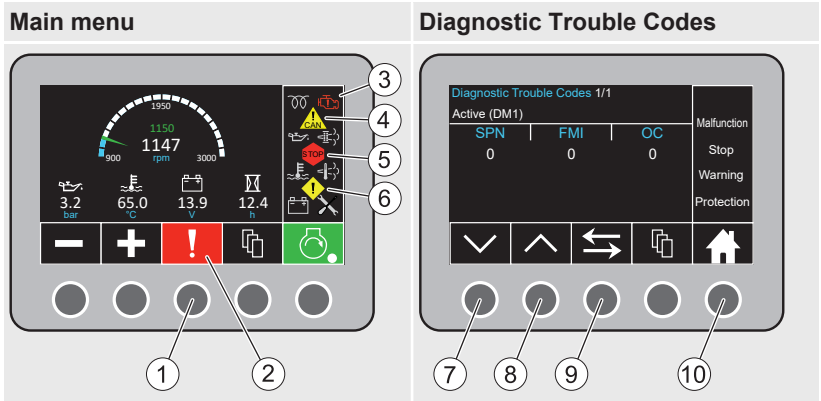
Possible causes	Remedy	Chapter
Dirty air filter unit.	Check the degree of dirt contamination of the air filter, and clean or renew it if necessary.	<i>8.2.15 Servicing the air filter (optional), page 118</i>
Turbocharger faulty or leaking hoses.	Check hoses or contact HATZ Service.	
Injector not fully functional.	Contact HATZ Service.	

Engine becomes very hot. The engine temperature indicator lights up.

Possible causes	Remedy	Chapter
Contamination in the entire area of the cooling air guides.	Clean the cooling air area.	
Cooler fins dirty, or cooler blocked.	Clean the cooler fins, ensure air flow through cooler is not hindered.	<i>8.2.7 Clean the radiator fins, page 98</i> <i>8.2.5 Check the cooling system, page 89</i>
Thermostat or water pump defective.	Contact HATZ service.	
Coolant level too low.	Check the cooling system.	<i>8.2.5 Check the cooling system, page 89</i>

9.2 Diagnostic trouble codes in case of engine malfunctions

Overview



1	Button for calling up the diagnostic trouble codes
2	Symbol Diagnostic trouble codes flashes
3	Symbol Engine malfunction is lit
4	Symbol Fault lamp CAN flashes depending on error
5	Symbol Fault lamp STOP flashes depending on error
6	Symbol Fault lamp warning flashes depending on error
7	Page forward (in case of a long list)
8	Page back (in case of a long list)
9	Change between active and historical diagnostic trouble code list
10	Home (back to main menu)

When malfunctions occur, the engine malfunction indicator lights up and the symbol for the diagnostic trouble codes flashes. One or more fault lamps (4-6) also flash. The indicator on the display automatically changes to the **Diagnostic Trouble Codes** menu. The diagnostic trouble codes are listed here.

Error description:





SPN	=	error signal
FMI	=	error type
OC	=	error frequency

Example:

SPN	190	The determining parameter is the crankshaft speed
FMI	9	The error that occurred is: sensor signal not plausible
OC	12	This error occurred 12 times

A list of all diagnostic trouble codes can be viewed at www.hatz.com/docu. If the listed malfunction cases have been worked through but the malfunction continues to persist, please contact your nearest **HATZ service center**.

9.3 Start support**Safety notes**

 DANGER	
	<p>Danger of explosion due to the generation of sparks.</p> <p>When carrying out the start support, a battery can generate an explosive gas mixture.</p> <ul style="list-style-type: none"> ▪ Avoid fire, sparks, open flames and smoking. ▪ Avoid short-circuits. ▪ Only connect battery terminals with identical polarity (see <i>Overview</i> section). ▪ Always observe the sequence described for connecting and disconnecting the start support cable. ▪ Do not place tools or other metal objects on the battery.
 WARNING	
  	<p>Danger of chemical burns.</p> <p>Battery acid is highly corrosive and can cause eye and skin injuries.</p> <ul style="list-style-type: none"> ▪ Wear safety goggles and safety gloves.

**WARNING****Danger of injury or property damage due to incorrectly carried out start support.**

If the instructions for the start support are not adhered to precisely, there is a danger of explosion due to the generation of sparks as well as a danger of chemical burns due to leaking battery acid.

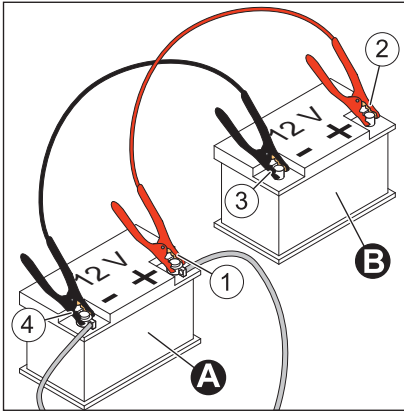
- Observe the attached information and warning signs (see section 3.3 *Labels*, page 19)
- Do not use a charger unit with Boost function. Electrical components could be destroyed due to overvoltage.
- Use a suitable start support cable with insulated cable pliers.

Required line cross-section:

- 12 volts min. 50 mm²
- 24 volts min. 35 mm²
- Never swap the positive (+) and negative (–) battery terminals (danger of short circuit).
- Make sure that the start support cables are laid in such a way that they cannot be damaged by rotating parts or become disconnected from the battery terminals.
- A discharged battery and current emitting battery must have the same voltage (12 volts). The battery capacity should be about the same.
- A discharged battery can freeze even at temperatures just a few degrees below zero. If the battery is frozen or thawed, do not carry out a start support. Replace the battery.



Overview – 12 volt model



Battery

A	Discharged battery
B	Current emitting battery

Red start support cable (positive (+) terminal)

1	Clamp pliers on the positive (+) terminal of the discharged battery
2	Clamp pliers on the positive (+) terminal of the current emitting battery

Black start support cable (negative (-) terminal)

3	Clamp pliers on the negative (-) terminal of the current emitting battery
4	Clamp pliers on the negative (-) terminal of the discharged battery


Procedure – 12 volt model

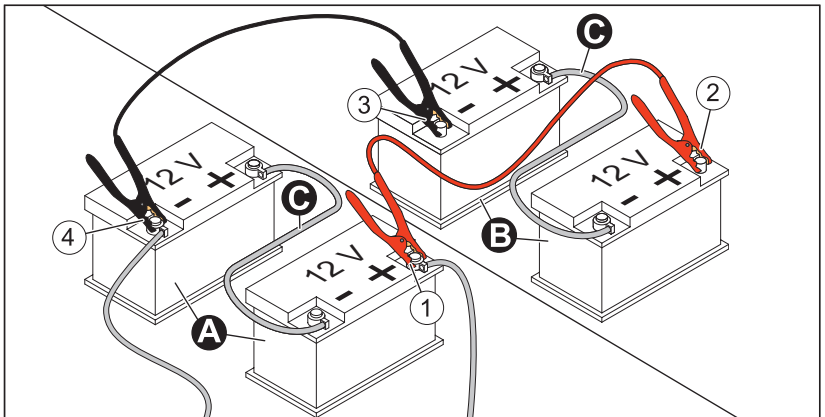
Step	Activity
1	A second battery (12 volts) or an external device with a 12 volt system can be used for the start support. See also the instructions in the documentation for the external device.
2	Turn the starting key to position "0" on both machines.
3	Connect the batteries using the clamp pliers of the start support cable in the sequence 1–2–3–4 (see <i>Overview – 12 volt model</i>).
4	Do not start the external device.
5	Start the machine with the discharged battery.

Step	Activity
6	Let the engine run for several minutes.
7	Disconnect the start support cable in the sequence 4–3–2–1.

Overview – 24 volt model

NOTICE

 The 24 volt model is supplied with two 12 volt batteries that are connected in series with a connection cable (C).



Batterys

A	Discharged batteries
B	Current emitting batteries
C	Connection cable between the batteries

Red start support cable (positive (+) terminal)

1	Clamp pliers on the positive (+) terminal of the discharged battery
2	Clamp pliers on the positive (+) terminal of the current emitting battery

Black start support cable (negative (–) terminal)

3	Clamp pliers on the negative (–) terminal of the current emitting battery
4	Clamp pliers on the negative (–) terminal of the discharged battery

Procedure – 24 volt model

Step	Activity
1	Either two batteries (12 volts) with connection cable (C) can be used for start support in accordance with <i>Overview – 24 volt model</i> or an external device with a 24 volt system. See also the instructions in the documentation for the external device.
2	Turn the starting key to position "0" on both machines.
3	Connect the batteries using the clamp pliers of the start support cable in the sequence 1–2–3–4 (see <i>Overview – 24 volt model</i>).
4	Do not start the external device.
5	Start the machine with the discharged battery.
6	Let the engine run for several minutes.
7	Disconnect the start support cable in the sequence 4–3–2–1.

10 Storage and disposal

10.1 Storing the machine

Safety notes



DANGER



Danger to life from inhaling exhaust gases.

Toxic engine exhaust gases can lead to loss of consciousness, and even death, in closed-off and poorly ventilated rooms.

- Never operate the machine in closed-off or poorly ventilated rooms.
- Do not breathe in the exhaust gases.



DANGER



Fire hazard from fuel.

Leaked or spilled fuel can ignite on hot engine parts and cause serious burn injuries.

- Only refuel when the engine is switched off and has cooled down.
- Never refuel in the vicinity of open flames or sparks that can cause ignition.
- Do not smoke.
- Do not spill fuel.



CAUTION



Danger of environmental damage from spilled fuel.

Do not overfill the fuel tank and do not spill fuel.

- Collect any leaking fuel and dispose of it according to local environmental regulations.



CAUTION



Danger of burns.

There is a danger of burns when working on a hot cooling system. The cooling system is pressurized when the engine is hot.

- Let the engine cool.
- Wear safety gloves.

NOTICE**Comply with the safety chapter!**

Follow the basic safety instructions in chapter 3 *Safety*, page 7.

Storing the machine for a lengthy period

Take the following measures if you intend to take the machine out of service for a lengthy period (3-12 months):

Step	Activity
1	Drain the fuel tank until it is nearly empty and fill with FAME*-free fuel. Operate the engine for a few minutes so that only FAME-free fuel is still in the fuel system.
2	Change the engine oil and oil filter (see chapter 8.2.6 <i>Changing the engine oil and oil filter</i> , page 92).
3	Replace the fuel prefilter and the main fuel filter (see section 8.2.13 <i>Changing the fuel prefilter</i> , page 113 and 8.2.14 <i>Changing the main fuel filter</i> , page 115).
4	Let the machine cool down.
5	Check the coolant level and concentration. Refill coolant if necessary (see section 8.2.5 <i>Check the cooling system</i> , page 89). If the concentration is too low, replace the coolant (see section 8.2.16 <i>Change the coolant</i> , page 120).
6	Remove the battery in accordance with the Operator's Manual for the machine and store at ambient temperature. Comply with the local regulations as well as the regulations of the battery manufacturer for the storage of batteries.
7	Close and seal all engine openings (air intake openings, air outlet openings and the exhaust gas opening) so that no foreign bodies can enter, but a small amount of air can still be exchanged. This avoids condensation.
8	After the machine has cooled down, cover it to protect it against contamination, and store it in a dry and clean place.

*FAME = Fatty Acid Methyl Ester

Ambient conditions during storage

- Max. permissible storage temperature: -25 °C to +60 °C
- Max. permissible humidity: 70%
- Protect the engine from direct sunlight

Recommissioning

Step	Activity
1	Remove all covers.
2	Check the cables, hoses and lines for cracks and leak tightness.
3	Check the engine oil level.
4	Check the coolant level.
5	Install the battery in accordance with the Operator's Manual for the machine.

The brand new engine can normally be stored for up to 12 months. The protection lasts up to approx. 6 months at very high humidity and in sea air.

For storage periods of more than 12 months, please contact the nearest **HATZ Service**.

10.2 Disposing of the machine

Disposal information

Dispose of the machine (including machine parts, engine oil, coolant, and fuel) according to the local disposal regulations and the environmental laws in the country of use.

Because of the danger of possible environmental damage, only permit an approved specialist company to dispose of the machine.

NOTICE



When the machine has reached the end of its lifecycle, ensure that it is disposed of safely and properly, especially parts and substances that can be dangerous to the environment. These also include fuel, coolant, lubricants, plastics, and batteries (if present).

- Do not dispose of the battery with the household trash.
- Dispose of the battery at a collection point for possible recycling.

11 Proof of quality

Proof of quality

The manufacturer: **Motorenfabrik Hatz GmbH & Co.GK**
Ernst-Hatz-Straße 16
D-94099 Ruhstorf a. d. Rott

hereby declares that the incomplete machine: product description: **Hatz diesel engine**

Type designation and as of serial number:

3H50T = 17811; 3H50TI = 16321; 3H50TIC = 13521; 3H50TICD = 16411;

4H50TI = 16121; 4H50TIC = 13621; 4H50TICD = 16511;

4H50N = 14711; 4H50NO = 19210

satisfies the following basic safety and health protection requirements in acc. with Annex I of the EC Machinery Directive 2006/42/EC.

- Annex I, General principles no. 1

- Nr. 1.1.2., 1.1.3., 1.1.5., 1.2.1., 1.2.2., 1.2.3., 1.2.4.1., 1.2.4.2., 1.3.1., 1.3.2., 1.3.3., 1.3.4., 1.3.7., 1.4.1., 1.5.1., 1.5.2., 1.5.3., 1.5.8., 1.5.9., 1.5.10., 1.5.11., 1.6.1., 1.6.2., 1.6.4., 1.7.1, 1.7.2

All relevant basic safety and health protection requirements down to the interfaces described

in the manual for diesel engine

in the enclosed data sheets

in the enclosed technical documents

have been complied with.

The special technical documents in acc. with Annex VII B of the Directive 2006/42/EC have been prepared.

The following standards have been used (completely or partially):

- EN 1679-1: 092011

- EN ISO 12100: 032011

- EN ISO 13857: 042020

- EN 60204-1:062019

The manual for diesel engine has been enclosed to the incomplete machine and the Assembly Instructions have been provided to the customer electronically together with the order confirmation.

Commissioning has been prohibited until it has been established, if applicable, that the machine into which the above-mentioned incomplete machine is to be incorporated, satisfies the provisions of the respective federal state.

12 EPA AND CARB CERTIFIED ENGINES

**SUPPLEMENTAL INFORMATION
TO THE OWNER'S MANUAL FOR MODEL YEAR 2024
FOR EPA AND CALIFORNIA CERTIFIED NONROAD
COMPRESSION IGNITION ENGINES.**

**EPA AND CALIFORNIA EMISSION CONTROL
SUPPLEMENTAL WARRANTY STATEMENT.**

EPA AND CARB EMISSION CONTROL WARRANTY STATEMENT.

YOUR WARRANTY RIGHTS AND OBLIGATIONS.

The California Air Resources Board and Motorenfabrik Hatz GmbH & Co. KG is pleased to explain the emission control system warranty on your Model Year 2024 engine. In California, new heavy-duty off-road engines must be designed, built, and equipped to meet the State's stringent anti-smog standards. The Motorenfabrik Hatz GmbH & Co. KG must warrant the emission control system on your engine for the periods of time listed below provided there has been no abuse, neglect or improper maintenance of your engine.

Where a warrantable condition exists, the Motorenfabrik Hatz GmbH & Co. KG will repair your heavy-duty off-road engine at no cost to you including diagnosis, parts, and labor.

MANUFACTURER'S WARRANTY COVERAGE.

The Model Year 2024 heavy-duty off-road engines are warranted for the periods described below. Motorenfabrik Hatz GmbH & Co. KG warrants to the original owner, and to each subsequent owner, of a new, diesel engine that the emission control system of your engine:

- Was designed, built and equipped so as to conform at the time of sale with all applicable regulations of the California Air Resources Board (CARB).
- Is free from defects in material and workmanship that will cause such engine to fail to conform with applicable regulations for the following warranty period:

If your engine is certified as . . .	And its maximum power is . . .	And its rated speed is . . .	Then its warranty period is . . .
Variable speed or constant speed	kW <19 (25 HP)	Any speed	1.500 hours or two years, whichever comes first.
Constant speed	19 ≤ kW <37 (25 ≥ HP <50)	3.000 rpm or higher	1.500 hours or two years, whichever comes first.
Constant speed	19 ≤ kW <37 (50 ≥ HP <50)	Less than 3.000 rpm	3.000 hours or five years, whichever comes first.
Variable speed	19 ≤ kW <37 (50 ≥ HP <50)	Any speed	3.000 hours or five years, whichever comes first.
Variable speed or constant speed	kW ≥37 (>50 HP)	Any speed	3.000 hours or five years, whichever comes first.

If any emission-related part on your engine is defective, the part will be repaired or re-placed by Motorenfabrik Hatz GmbH & Co. KG.

The warranty period shall begin:

- on the date the equipment is first delivered to the first retail purchaser, or;
- if the equipment is placed in service for demonstration purposes prior to sale at retail, on the date the engine is first placed in service.

The emission control systems of your new Motorenfabrik Hatz engine was designed, built and tested using genuine Motorenfabrik Hatz parts, and the engine is certified as being in conformity with CARB and US EPA emission control regulations. Accordingly, it is recommended that any replacement parts used for maintenance, repair or replacement of emission control systems be Motorenfabrik Hatz parts. Any replacement part that is equivalent in all material respects may be used in the performance of any maintenance or repairs, although Motorenfabrik Hatz recommends that the owner obtain assurance that such parts are warranted by their manufacturer to be equivalent to genuine Motorenfabrik Hatz GmbH & Co. KG parts. Such use shall not reduce the remaining warranty obligations of the engine manufacturer, provided they are warranted to be equivalent to genuine Motorenfabrik Hatz parts.

Any warranted part that is not scheduled for replacement, as required maintenance shall be warranted for the warranty period defined above. If any such part fails during the period of warranty coverage, it will be repaired or replaced under warranty. Any such part repaired or replaced under the warranty shall be warranted for the remaining warranty period.

Any warranted part that is scheduled only for regular inspection in the written instructions shall be warranted for the warranty period defined above. A statement in the written instructions to the effect of "repair or replace as necessary" shall not reduce the period of warranty coverage. Any such part repaired or replaced under warranty shall be warranted for the remaining warranty period.

Any warranted part that is scheduled for replacement, as required maintenance shall be warranted for the period of time prior to the first scheduled replacement point for that part. If the part fails prior to the first scheduled replacement, the part shall be repaired or replaced by the engine manufacturer under warranty. Any such part repaired or replaced under warranty shall be warranted for the remainder of the period prior to the first scheduled replacement point for the part.

Repair or replacement of any warranted part under warranty shall be performed at no charge to the owner at a warranty station.

Motorenfabrik Hatz provides warranty services or repairs at all manufacturer distribution centers (warranty stations) that are franchised to service the subject engines. Please see the Customer Assistance section of this statement for help in locating such service centers.

The owner will not be charged for diagnostic labor that leads to the determination that a warranted part is in fact defective, provided that such diagnostic work is performed at a warranty station.

Motorenfabrik Hatz is liable for damages to other engine components proximately caused by a failure under warranty of any warranted part.

OWNER'S WARRANTY RESPONSIBILITIES.

As the engine owner, you are responsible for the performance of the required maintenance listed in your owner's manual. Motorenfabrik Hatz recommends that you retain all receipts covering maintenance on your engine, but Motorenfabrik Hatz cannot deny warranty solely for the lack of receipts or for your failure to ensure the performance of all scheduled maintenance.

As the engine owner, you should be aware, however, that Motorenfabrik Hatz may deny you warranty coverage if your engine or a part has failed due to abuse, neglect, improper maintenance or unapproved modifications.

Your engine is designed to operate ultra-low sulfur fuel only. Use of any other fuel may result in your engine no longer operating in compliance with California's emissions requirements.

You are responsible for presenting your engine to a Motorenfabrik Hatz authorized service center as soon as a problem exists. The warranty repairs should be completed in a reasonable amount of time, not to exceed 30 days.

Add-on or modified parts, as defined in CCFR Section 1900(b)(1) and (b) (10), Title 13, that are not exempted by the Air Resources Board may not be used. The use of any non-exempted add-on or modified parts shall be grounds for disallowing a warranty claim made in accordance with this article. The engine manufacturer shall not be liable under this article to warrant failures of warranted parts caused by the use of a non-exempted add-on or modified part.

Customer Assistance

If you have any questions regarding your warranty rights and responsibilities, you should contact HATZ DIESEL OF AMERICA, Inc. at (262)-544-0254.

What is Not Covered by the Emission Warranty

Please note that Emission Warranty does not cover:

- Systems and parts that were not first installed on the new equipment or engine as original equipment by Motorenfabrik Hatz.
- Part malfunctions caused by abuse, misuse, improper adjustment, modification, alteration, tampering, disconnection, improper or inadequate maintenance, or use of non-recommended fuels and lubricating oils.
- Damage caused by accident, acts of nature, or other events beyond Motorenfabrik Hatz's control.
- Replacement of expendable items made in connection with scheduled maintenance.
- Parts requiring replacement, inspection or adjustment during scheduled maintenance intervals where the part is not defective.
- Parts that are not Motorenfabrik Hatz Service Parts.
- Loss of time, inconvenience, loss of use of equipment/engine or commercial loss.

- Equipment with an altered or disconnected hourmeter where the hours cannot be determined. Equipment normally operated outside the United States.
- Non-defective parts replaced by other than Motorenfabrik Hatz dealers.

What is Covered by the Emission Warranty

The following is a list of systems and parts that are considered a part of the Emission Control System and are covered by the Emission Warranty for engines that were built to conform to EPA and CARB regulations:

IMPORTANT!

This may not include expendable maintenance items. Emission related parts requiring scheduled maintenance are warranted until their first scheduled replacement point only.

The following parts as manufactured according to HATZ specifications are mandatory for engine operation which meets exhaust emission regulations:

- High Pressure pump
- Injection nozzle(s)
- Intake and exhaust manifold
- EGR valve body (for TIC and TICD models only)
- EGR rate feedback and control system (for TIC and TICD models only)
- Crankcase breather valve assembly
- Oil filler cap
- Vacuum switch
- Diesel Oxidation Catalyst
- Electronic control unit
- Oil temperature sensor
- Governor position sensor
- Engine speed sensor
- Solenoids
- Wiring harnesses
- Fuel hoses
- Intake and exhaust gaskets
- Emission Control Information Labels

Only parts manufactured by Hatz and which have passed the Hatz Quality Assurance Program have been assured of meeting EPA and CARB exhaust emission regulations.

HATZ DIESEL SUPPLEMENTAL WARRANTY FOR MODEL YEAR 2024 EPA AND / OR CARB CERTIFIED ENGINES.

PARTS WITH SUPPLEMENTAL LIMITED WARRANTY.

The following limited warranty is supplemental to the standard HATZ DIESEL LIMITED ENGINE WARRANTY and covers Model Year 2024 EPA and / or CARB certified engines and applies to the exhaust emission-related components are also listed in this manual.

SUPPLEMENTAL LIMITED WARRANTY.

Hatz Diesel of America, Inc. hereinafter referred to as “HATZ” warrants each of the above-listed parts when installed in a new engine sold by Hatz to be free from defects in material and workmanship under normal use and service, only under the named warranty coverage conditions, after the date of delivery to the original retail purchaser and Hatz will at their option, repair or replace at Hatz’s sales headquarters, or at a point designated by Hatz, any part or parts which shall appear to the satisfaction of Hatz upon inspection at such point, to have been defective in material or workmanship.

- Any warranted part which is scheduled for replacement as required maintenance is warranted for the period of time up to the first scheduled replacement point for that part.
- Any replacement part which is equivalent in performance and durability may be used in non-warranty maintenance or repairs and will not reduce the overall engine warranty obligations of Hatz. However, Hatz is not responsible for failure of such replacement parts or failure of any other parts directly caused by failure of such replacement parts.
- This warranty does not obligate Hatz to bear any transportation charges in connection with the repair or replacement of defective parts. This warranty is transferrable to subsequent owners, only under the named warranty coverage conditions.
- In order to obtain service under this warranty, the retail purchaser should contact Hatz Diesel of America, Inc. at (262)-544-0254 for information and the nearest service center. The retail purchaser will not be charged for diagnostic labor which leads to the determination that a warranted part is defective, nor for the repair or replacement of warranted parts if the work is performed at an authorized Hatz service center. If other engine components are damaged due to a failure of the above-listed warranted parts still under warranty, these other engine components will also be repaired or replaced at no charge.
- This warranty shall not apply to any engine which shall have been installed or operated in a manner not recommended by Hatz, nor to any engine which shall have been repaired, altered, neglected, or used in any way which, in the opinion of Hatz, adversely affects its performance, nor to any engine in which parts not authorized by Hatz have been used, which parts or the use of which have damaged or caused defects in or otherwise adversely affected the engine or its performance, nor to normal maintenance service or replacement of normal service items.

Hatz reserves the right to modify, alter, and improve any engine or parts in accordance with the applicable regulations without incurring any obligation to replace any engine or parts previously sold with such modified, altered, or improved engine or parts.

EMISSION-RELATED INSTALLATION INSTRUCTIONS.

“Failing to follow the Emission related installation instructions provided by Motorfabrik Hatz when installing a certified engine in a piece of nonroad equipment violates federal law (40CFR1068.105(b)), subject to fines or other penalties as described in the Clean Air Act.”

The emission related installation instructions can be downloaded at <http://www.hatz-diesel.com/doku/assembly-instructions.html>

“If you install the engine in a way that makes the engine's emission control information labels hard to read during normal engine maintenance, you must place duplicate labels on the equipment.”

Assembly and handling of emission related components (e.g. catalyst mounting on the non-road equipment) are explained in the manual.



WARNING: Breathing diesel engine exhaust exposes you to chemicals known to the State of California to cause cancer and birth defects or other reproductive harm.

- Always start and operate the engine in a well-ventilated area.
- If in an enclosed area, vent the exhaust to the outside.
- Do not modify or tamper with the exhaust system.
- Do not idle the engine except as necessary.

For more information go to www.P65warnings.ca.gov/diesel

0413 550 00

Motorenfabrik Hatz GmbH & Co. KG

Ernst-Hatz-Str. 16

94099 Ruhstorf a. d. Rott

Deutschland

Tel. +49 8531 319-0

Fax. +49 8531 319-418

marketing@hatz-diesel.de

www.hatz-diesel.com



CREATING POWER SOLUTIONS.

0000 436 006 14 - 12.2023

Printed in Germany

USA - EPA IV - CARB